

Technical data sheet

90° adjustable bend, vertical 60 FT

Item number: 7079400



90° adjustable vertical bend, for all cable tray types with a side height of 60 mm. The bend is shipped in an unmounted state. No additional fastening materials are required.



St Steel

FT Hot-dip galvanised

Master data

Item number	7079400
Type	RGBV 640 FT
Description 1	Adjustable bend
Description 2	vertical
Manufacturer	OBO
Dimension	60x400
Material	Steel
Surface	Hot-dip galvanised
Surface standard	DIN EN ISO 1461
Smallest sales unit	1
Unit of quantity	Piece
Weight	349 kg
Weight unit	kg/100 pc.

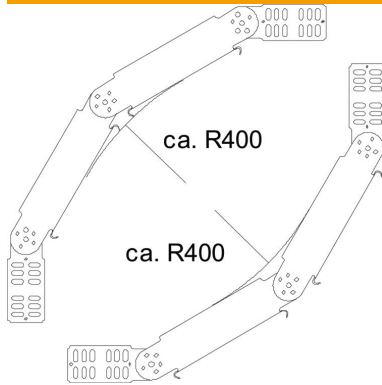
Technical data sheet

90° adjustable bend, vertical 60 FT

Item number: 7079400



Dimensions



Width	400 mm
Width	16 in
Height	60 mm
Height	2 in
Plate thickness	1 mm
Dimension R	400 mm

Technical data

Bend (angle)	90°
Connector version	Supplied connectors
Type	Adjustable bend_complete
Maintain electrical functions	no
Mounting perforation in base	no
NATO hole pattern	no
Change of direction	Vertical, rising/falling
Rustproof steel, pickled	no
Side perforation	no
Wide-span version	no
Type of connector, cable support system	Screwed