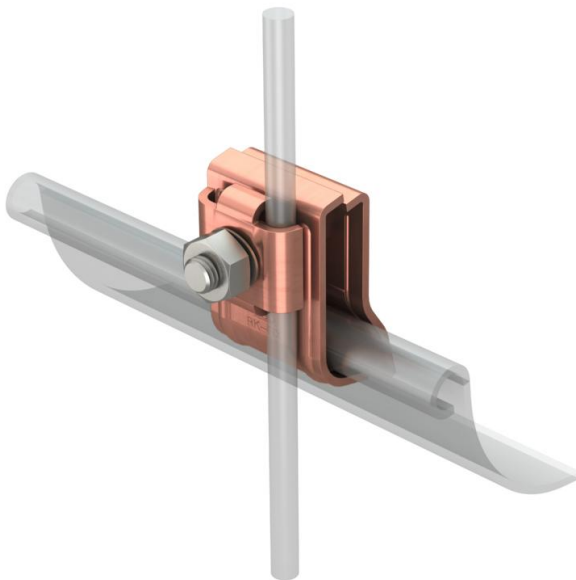


Technical data sheet

Gutter clamp RK-FIX Cu

Item number: 5316468



- For up to 2 round conductors Rd 6 or Rd 8
- Suitable for all bead thicknesses (15–25 mm)
- With 1 truss-head bolt M10 x 45
- With spring for prefixing on rain gutter
- Clamp body and crossbar made of rustproof stainless steel (V2A), copper-plated
- Nut, bolt and spring made of stainless steel (V2A)
- Tested to VDE 0185-561-1 (IEC/EN 62561-1)



A2 Stainless steel

Cu Copper-plated

Master data

Item number	5316468
Type	RK-FIX CU
Description 1	Gutter clamp with spring
Manufacturer	OBO
Dimension	2x8 / 2x6mm
Material	Stainless steel
Surface	Copper-plated
Surface standard	
Smallest sales unit	10
Unit of quantity	Piece
Weight	21 kg
Weight unit	kg/100 pc.

Technical data

Type of fastening screw	Gutter bolt
Type of connector	Roof gutter clamp
Lightning current carrying capacity	H/100 kA
Fit	2 x Rd 8/ 2 x Rd 6 mm
Clamping range, max.	25 mm
Clamping range, min.	15 mm