

Technical data sheet

Height-adjustable cassette for tube body, RKFRNUZD3, stainless steel

Item number: 7409444



Height-adjustable cassette, decoupled from the floor, of nominal size R4, for tube bodies, for the installation of accessories in dry or wet-cleaned floors for indoor use, for mounting in underfloor boxes UZD250-3 or UZD350-3, either in conjunction with a mounting lid DUG..R4 or in UGD250-3R4 or UGD350-3R4. Mounting takes place using height adjustment brackets (order separately) in the aluminium frame profile of the underfloor boxes.

Height-adjustable cassette for tube body, 2-compartment. 2 APMT2 cover plates can be installed. For the installation of 2 UT3 universal supports for 4 individual installation devices with support ring/support clamp or 6 Modul 45 devices.



A2 Stainless steel

Master data

Item number	7409444
Type	RKFRN2UZD3R4VS25
Description 1	Round cassette
Description 2	for tube
Manufacturer	OBO
Dimension	Ø215mm
Material	Stainless steel
Smallest sales unit	1
Unit of quantity	Piece
Weight	174 kg
Weight unit	kg/100 pc.

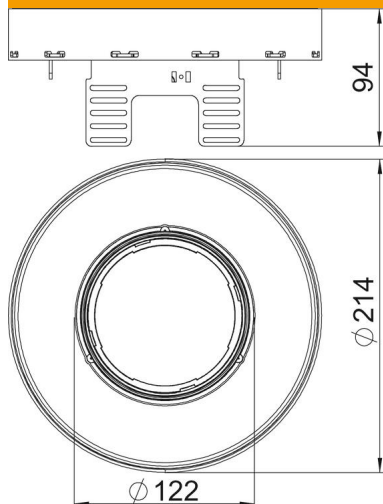
Technical data sheet

Height-adjustable cassette for tube body, RKFRNUZD3,
stainless steel

Item number: 7409444



Dimensions



Length	214 mm
Width	214 mm
Height	94 mm

Technical data

Number of installable devices	6
Number of cable outlets	1
Version for	Round
Cable outlet version	Lowerable tube body
Floor care	Wet
Decouplable	yes
Floor height, min.	94 mm
Suitable for raised floor installation	no
Suitable for cavity floor installation	no
Suitable for underfloor box	250/350
Device support to accept mounting boxes	yes
Nominal size for device installation units	R4
Protection rating (IP) when used	IP20
Protection rating (IP) when unused	IP40
Protection rating IK code	IK10
Heavy-duty version	no
Installation system type	UT3
Vertical load, large area	to 3,000 N
Approvals	VDE
Floor covering thickness	25 mm