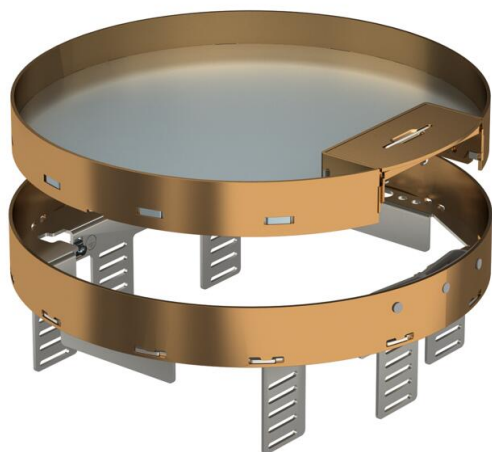


Technical data sheet

Height-adjustable cassette with cord outlet, RKSRNUZD3, brass

Item number: 7409294



Height-adjustable cassette, decoupled from the floor, of nominal size R7, with cord outlet, for the installation of accessories in dry-cleaned floors for indoor use, for mounting in underfloor boxes UZD350-3, either in conjunction with a mounting lid DUG350-3R7 or UGD350-3R7. Mounting takes place using height adjustment brackets (order separately) in the aluminium frame profile of the underfloor boxes.

Height-adjustable cassette for cord outlet, 3-compartment. 2 APMT2 cover plates and 1 APMT5 cover plate can be installed. For the installation of 2 UT3 universal supports and one UT4 universal support for 7 individual installation devices with support ring/support clamp or 10 Modul 45 devices.



CuZn
37 Brass

Master data

Item number	7409294
Type	RKSRN2UZD3R7MS25
Description 1	Round cassette
Description 2	with cord outlet
Manufacturer	OBO
Dimension	Ø275mm
Material	Brass
Smallest sales unit	1
Unit of quantity	Piece
Weight	306 kg
Weight unit	kg/100 pc.

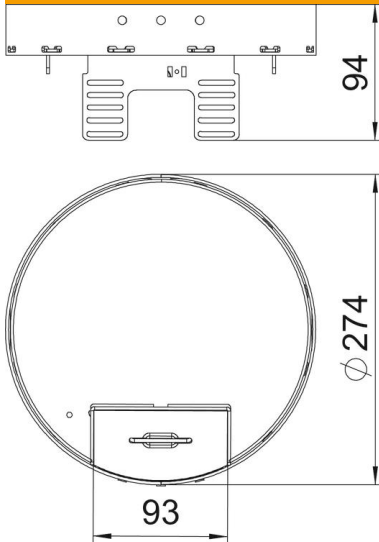
Technical data sheet

Height-adjustable cassette with cord outlet, RKSRNUZD3, brass

Item number: 7409294



Dimensions



Length	274 mm
Width	274 mm
Height	94 mm

Technical data

Number of installable devices	10
Number of mounting boxes	3
Number of cable outlets	1
Version for	Round
Cable outlet version	Swivellable cord outlet
Floor care	Dry
Decouplable	yes
Floor height, min.	94 mm
Suitable for raised floor installation	no
Suitable for cavity floor installation	no
Suitable for underfloor box	350
Device support to accept mounting boxes	yes
Nominal size for device installation units	R7
Protection rating (IP) when used	IP20
Protection rating (IP) when unused	IP40
Protection rating IK code	IK10
Heavy-duty version	no
Installation system type	UT3 / UT4
Vertical load, large area	to 3,000 N
Vertical load, small area	to 1,500 N
Approvals	VDE
Floor covering thickness	25 mm