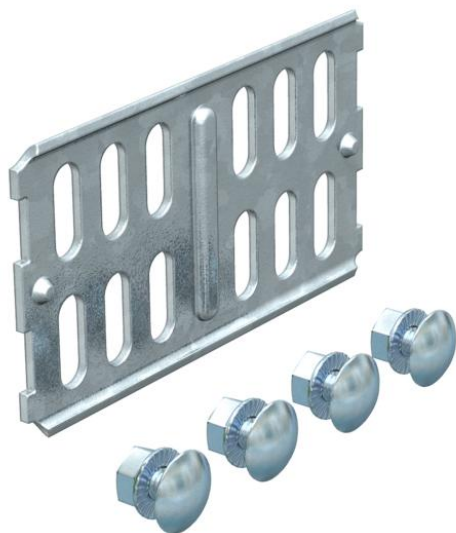


Technical data sheet

60 FT SOMY straight connector

Item number: 7190522



Straight connector for the straight connection of cable trays and fittings with a side height of 60 mm.

Including appropriate fastening material.



St Steel

FT SO Hot-dip galvanised 85 µm

Master data

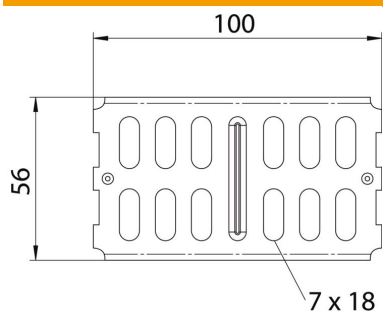
| | |
|---------------------|--------------------------|
| Item number | 7190522 |
| Type | RLVK 60 FT SO |
| Description 1 | Straight connector |
| Description 2 | for cable tray |
| Manufacturer | OBO |
| Dimension | 60x100 |
| Material | Steel |
| Surface | Hot-dip galvanised 85 µm |
| Surface standard | DIN EN ISO 1461 |
| Smallest sales unit | 10 |
| Unit of quantity | Piece |
| Weight | 10.3 kg |
| Weight unit | kg/100 pc. |

Technical data sheet

60 FT SOMY straight connector

Item number: 7190522

Dimensions



| | |
|-----------------|----------|
| Dimension | 100 x 56 |
| Length | 100 mm |
| Width | 3.5 mm |
| Height | 56 mm |
| Plate thickness | 2 mm |

Technical data

| | |
|---------------------------------------|--------------------|
| Version for | Straight connector |
| Maintain electrical functions | no |
| Suitable for mesh cable tray | no |
| Suitable for cable ladder | no |
| Suitable for cable tray | yes |
| Suitable for cable tray system height | 60 mm |
| Adjustable connector, horizontal | no |
| Articulated connector, vertical | no |
| Rustproof steel, pickled | no |
| Connection type | Screw connector |