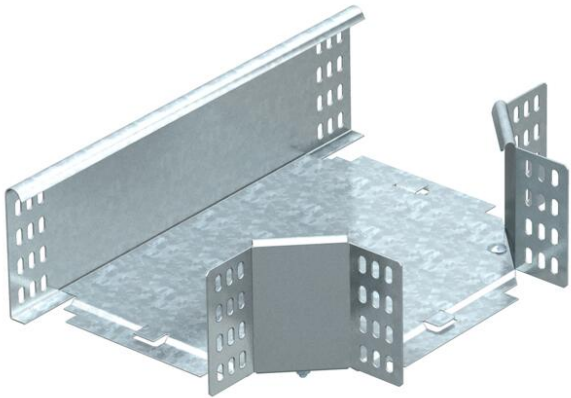


Technical data sheet

T branch piece 110 FT

Item number: 7119119



Horizontal T branch piece, for all cable tray types of 110 mm side height.
The fitting is shipped in an unmounted state. Including appropriate fastening material.



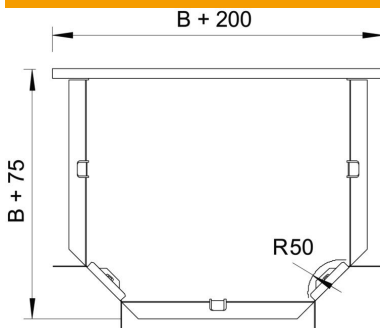
St Steel

FT Hot-dip galvanised

Master data

| | |
|---------------------|------------------------------|
| Item number | 7119119 |
| Type | RT 110 FT |
| Description 1 | T-branch piece |
| Description 2 | horizontal + angle connector |
| Manufacturer | OBO |
| Dimension | 110x100 |
| Material | Steel |
| Surface | Hot-dip galvanised |
| Surface standard | DIN EN ISO 1461 |
| Smallest sales unit | 1 |
| Unit of quantity | Piece |
| Weight | 110 kg |
| Weight unit | kg/100 pc. |

Dimensions



| | |
|-------------|--------|
| Width | 100 mm |
| Width | 4 in |
| Height | 110 mm |
| Dimension B | 100 mm |
| Dimension R | 50 mm |

Technical data sheet

T branch piece 110 FT

Item number: 7119119



Technical data

| | |
|---|---------------------|
| Bend (angle) | 90° |
| Connector version | Supplied connectors |
| Maintain electrical functions | no |
| NATO hole pattern | no |
| Change of direction | Horizontal |
| Rustproof steel, pickled | no |
| Wide-span version | no |
| Type of connector, cable support system | Screwed |
| Rail thickness | 1.25 mm |