

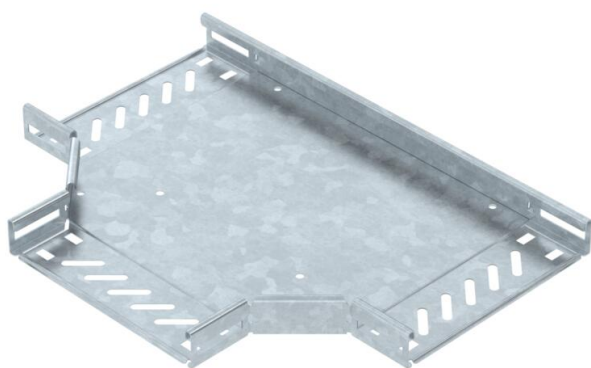
# Technical data sheet

## T piece 35 FT

Item number: 6038012



T piece for the creation of a horizontal branch, fitting for lock and screw-on cable trays of side height 35 mm. Screw connection with FRS truss-head screws and M6 combination nuts. Can be used indoors and outdoors. Fastening material must be ordered separately.



**St** Steel

**FT** Hot-dip galvanised

### Master data

Item number	6038012
Type	RT 320 FT
Description 1	T piece
Description 2	for cable tray, horizontal
Manufacturer	OBO
Dimension	35x200
Material	Steel
Surface	Hot-dip galvanised
Surface standard	DIN EN ISO 1461
Smallest sales unit	1
Unit of quantity	Piece
Weight	102.8 kg
Weight unit	kg/100 pc.

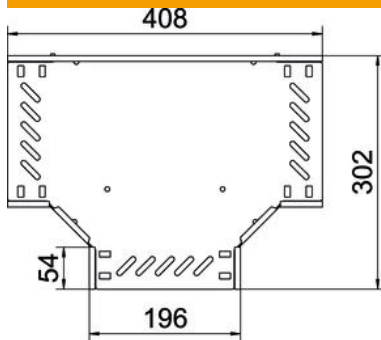
# Technical data sheet

T piece 35 FT

Item number: 6038012



## Dimensions



Width	200 mm
Height	35 mm
Plate thickness	0.8 mm
Dimension B	200 mm

## Technical data

Connector version	Integrated connector
Maintain electrical functions	no
NATO hole pattern	no
Rustproof steel, pickled	no
Permitted temperature range, max.	120 °C
Permitted temperature range, min.	-20 °C
Wide-span version	no
Type of connector, cable support system	Screwed
Recommended quantity of bolts	12 St.
Rail thickness	1.25 mm