

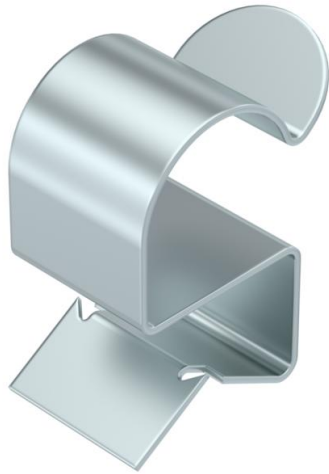
# Technical data sheet

## Support clamp for cables

Item number: 1488523



Support clamp for mounting cables. Open cable seat at side. Fastening through knocking onto steel girders.



CE

- St Steel
- ZL Zinc slat

### Master data

|                     |                    |
|---------------------|--------------------|
| Item number         | 1488523            |
| Type                | SCC 7,5-12 D18     |
| Description 1       | Beam clamp         |
| Description 2       | for cable, 15-18mm |
| Manufacturer        | OBO                |
| Dimension           | 7,5-12mm           |
| Material            | Steel              |
| Surface             | Zinc slat          |
| Surface standard    |                    |
| Smallest sales unit | 100                |
| Unit of quantity    | Piece              |
| Weight              | 0.9 kg             |
| Weight unit         | kg/100 pc.         |

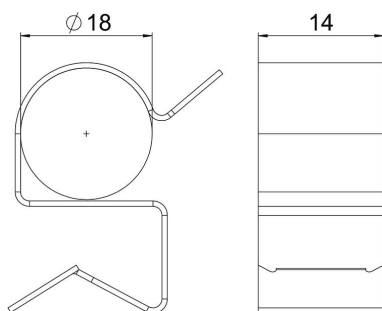
# Technical data sheet

## Support clamp for cables

Item number: 1488523



### Dimensions



|        |       |
|--------|-------|
| Length | 24 mm |
| Width  | 14 mm |
| Height | 28 mm |
| Maß W  | 14 mm |

### Technical data

|                           |            |
|---------------------------|------------|
| Connection type/component | Pipe/cable |
| Fastening type            | Clamp      |
| Flange thickness F max.   | 12 mm      |
| Flange thickness F min.   | 7.5 mm     |
| Pipe/cable diameter, max. | 18 mm      |
| Pipe/cable diameter, min. | 15 mm      |
| Hinge, adjustable         | no         |
| Hinged                    | no         |