

Technical data sheet

Support clamp for cables

Item number: 1488531



Support clamp for mounting cables. Open cable seat at side. Fastening through knocking onto steel girders.



CE

St Steel

ZL Zinc slat

Master data

Item number	1488531
Type	SCC 7,5-12 D30
Description 1	Beam clamp
Description 2	for cable, 25-30mm
Manufacturer	OBO
Dimension	7,5-12mm
Material	Steel
Surface	Zinc slat
Surface standard	
Smallest sales unit	100
Unit of quantity	Piece
Weight	1.1 kg
Weight unit	kg/100 pc.

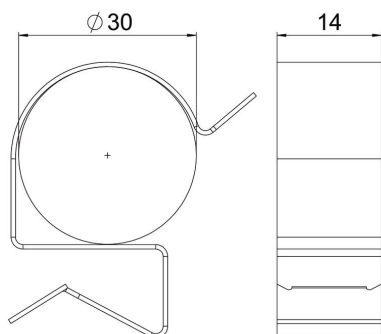
Technical data sheet

Support clamp for cables

Item number: 1488531



Dimensions



Length	34 mm
Width	14 mm
Height	37 mm
Maß W	14 mm

Technical data

Connection type/component	Pipe/cable
Fastening type	Clamp
Flange thickness F max.	12 mm
Flange thickness F min.	7.5 mm
Pipe/cable diameter, max.	30 mm
Pipe/cable diameter, min.	25 mm
Hinge, adjustable	no
Hinged	no