

# Technical data sheet

## Distribution box, 9 division units, with terminal strip, polycarbonate

Item number: 2008848



Distribution box with terminal strip for surface mounting, for the current sub-distribution in interior and exterior areas, in accordance with IEC 439-3. With pre-mounted 35 mm hat profile rail. IP66 protection type and IK08 protection rating. Transparent cover to screw on, with cut-out.

- Protection-insulated for a maximum of 9 division units
  - Terminal strip set consisting of: One each of: PE/N terminal (1x25 mm<sup>2</sup> and 1x16 mm<sup>2</sup> screw terminals, 2x4 mm<sup>2</sup> and 12x2.5 mm<sup>2</sup> screwless terminals), mini hat profile rail, mounting instructions and fastening set
  - Identification plates for connected consumers
  - 6 elastic cable entries Ø20 mm for cable diameters of 0–17 mm
  - 1 elastic cable entry Ø25 mm for cable diameters of 0–22 mm
  - 1 elastic cable entry Ø32 mm for cable diameters of 0–28 mm
  - 8 Ø 20 mm break-out openings each at the top and bottom
  - 1 Ø 20/25/32 mm combination break-out opening each at the top and bottom
  - 4 screw cover caps
  - 2 stainless steel external fastenings
  - Cover strips for unused division units
- Nominal current 63 A  
Power loss at 40 K 20.7 W



PC Polycarbonate

### Master data

Item number	2008848
Type	SDB 09 PC
Description 1	Small distributor
Description 2	for max. 9 distribution units
Manufacturer	OBO
Dimension	240x191x125
Colour	Light grey; RAL 7035
Material	Polycarbonate
Smallest sales unit	1
Unit of quantity	Piece
Weight	103.84 kg
Weight unit	kg/100 pc.

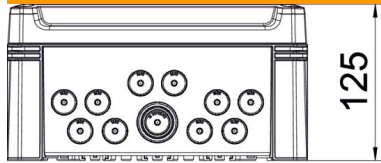
# Technical data sheet

Distribution box, 9 division units, with terminal strip, polycarbonate

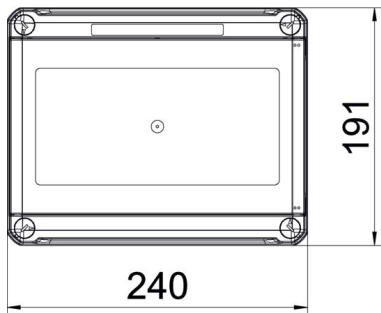
Item number: 2008848



## Dimensions



Length	241 mm
Width	191 mm
Height	126 mm



## Technical data

Extension option	yes
Number of rows	1
Cover type	Cover
Version, small distributor cover	With cut-out
DIN rail	yes
Installation location	Protected outdoor area
EMC version	no
Glow wire test	850 °C
Terminals	Connector
With mounting plate	no
With lock	no
Mounting type, consumer units	Structure
Nominal insulating voltage AC	1000 V
Nominal insulating voltage DC	1500 V
Nominal voltage	400 V
Nominal current	63 A
Protection rating	IP66
Protection rating IK code	IK08
Transparent lid	yes