

Technical data sheet

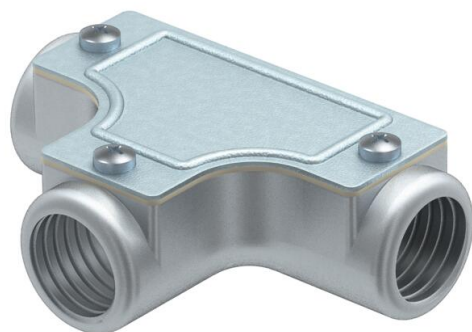
Control T piece with thread

Item number: 2047608



Die-cast aluminium T piece, with internal thread, for mounting in pipe sections as a junction.

Removable cover for easier cable routing and later checking.



AIG Cast aluminium

Master data

| | |
|---------------------|-----------------|
| Item number | 2047608 |
| Type | SKTM40W ALU |
| Description 1 | Control T piece |
| Description 2 | with thread |
| Manufacturer | OBO |
| Dimension | M40x1,5 |
| Material | Cast aluminium |
| Smallest sales unit | 4 |
| Unit of quantity | Piece |
| Weight | 34 kg |
| Weight unit | kg/100 pc. |

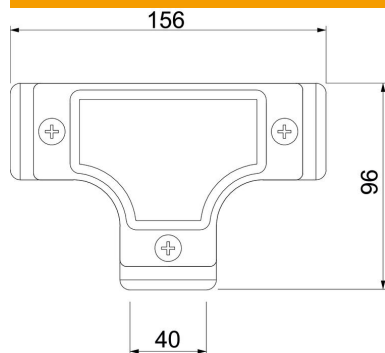
Technical data sheet

Control T piece with thread

Item number: 2047608



Dimensions



| | |
|------------------|---------|
| Length | 156 mm |
| Dimension D | 96 mm |
| Dimension L | 156 mm |
| Dimension m (mm) | M40x1,5 |

Technical data

| | |
|------------------|---------|
| Version for | Thread |
| Thread | M40x1,5 |
| Size | 40 |
| Halogen-free | no |
| Brushed surface | no |
| Polished surface | no |