

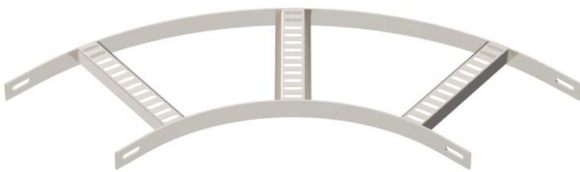
# Technical data sheet

## 90° bend with trapezoidal rung, A2

Item number: 7098660



90° bend for shipbuilding cable ladders, type SL 42, with a side height of 25 mm with welded, perforated trapezoidal rungs which open in a downwards direction. Connectors should be ordered separately and in the appropriate quantity.



**A2** Stainless steel

**2B** Bright, treated

### Master data

Item number	7098660
Type	SLB 90 42 200 A2
Description 1	90° bend
Description 2	with trapezoidal rung
Manufacturer	OBO
Dimension	B206mm
Material	Stainless steel
Surface	Bright, treated
Surface standard	
Smallest sales unit	1
Unit of quantity	Piece
Weight	95.4 kg
Weight unit	kg/100 pc.

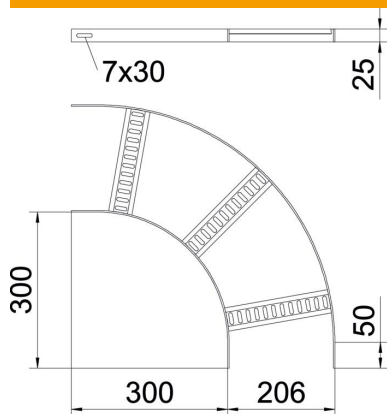
# Technical data sheet

90° bend with trapezoidal rung, A2

Item number: 7098660



## Dimensions



Width	200 mm
Height	25 mm

## Technical data

Bend (angle)	90°
Version of the rungs	Profile perforated
Side rail version	Flat profile
Connector version	Without connectors
Maintain electrical functions	no
Change of direction	Horizontal
Rustproof steel, pickled	yes
Hinged	no
Side perforation	no
Wide-span version	no
Rail thickness	3 mm