

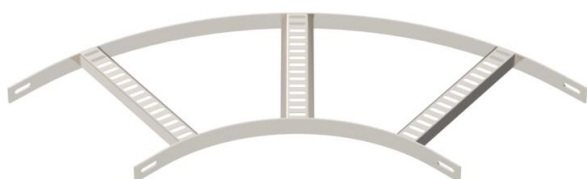
Technical data sheet

90° bend with trapezoidal rung, A2

Item number: 7098662



90° bend for shipbuilding cable ladders, type SL 42, with a side height of 25 mm with welded, perforated trapezoidal rungs which open in a downwards direction. Connectors should be ordered separately and in the appropriate quantity.



A2 Stainless steel

2B Bright, treated

Master data

Item number	7098662
Type	SLB 90 42 250 A2
Description 1	90° bend
Description 2	with trapezoidal rung
Manufacturer	OBO
Dimension	B256mm
Material	Stainless steel
Surface	Bright, treated
Surface standard	
Smallest sales unit	1
Unit of quantity	Piece
Weight	105 kg
Weight unit	kg/100 pc.

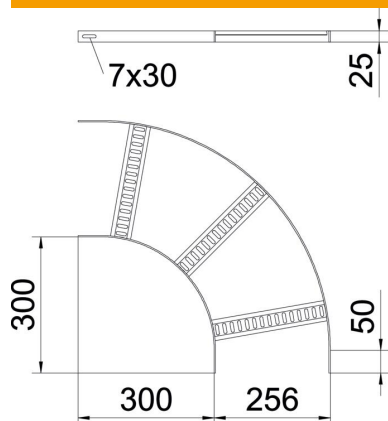
Technical data sheet

90° bend with trapezoidal rung, A2

Item number: 7098662



Dimensions



Width	250 mm
Height	25 mm

Technical data

Bend (angle)	90°
Version of the rungs	Profile perforated
Side rail version	Flat profile
Connector version	Without connectors
Maintain electrical functions	no
Change of direction	Horizontal
Rustproof steel, pickled	yes
Hinged	no
Side perforation	no
Wide-span version	no
Rail thickness	3 mm