

Technical data sheet

External corner SLL AE2050

Item number: 6132261



External corner as a fitting for changing the direction of the skirting trunking.
External corner for snapping on to the base to conceal cuts.



PVC Polyvinylchloride

Master data

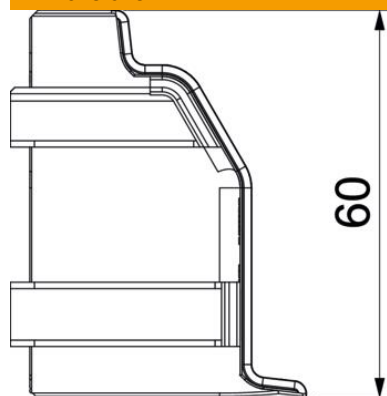
Item number	6132261
Type	SLL AE2050 cws
Description 1	External corner
Description 2	SL-L 20x50 9001
Manufacturer	OBO
Colour	Cream; RAL 9001
Material	Polyvinylchloride
Smallest sales unit	10
Unit of quantity	Piece
Weight	1.32 kg
Weight unit	kg/100 pc.

Technical data sheet

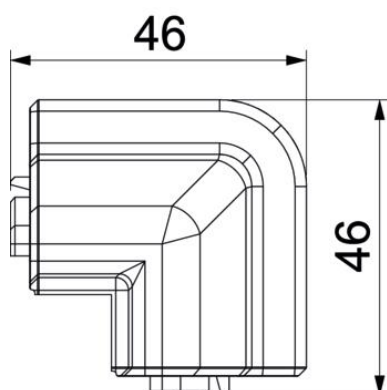
External corner SLL AE2050

Item number: 6132261

Dimensions



Length	46 mm
Height	60 mm



Technical data

Version for	Hood fitting
Decoration	Without
Cover sealing lip	Wall/floor
Halogen-free	no
With carpet strip	no
Protection rating	IP40
Protection rating IK code	IK06
Permitted temperature range, max.	60 °C
Permitted temperature range, min.	-5 °C
Angle range, min.	90 mm