

# Technical data sheet

Internal corner SLL IE2050

Item number: 6132240



Internal corner as a fitting for changing the direction of the skirting trunking.  
Internal corner for snapping on to the base to conceal cuts.



**PVC** Polyvinylchloride

## Master data

Item number	6132240
Type	SLL IE2050 rws
Description 1	Internal corner
Description 2	SL-L 20x50 9010
Manufacturer	OBO
Colour	Pure white; RAL 9010
Material	Polyvinylchloride
Smallest sales unit	10
Unit of quantity	Piece
Weight	1.06 kg
Weight unit	kg/100 pc.

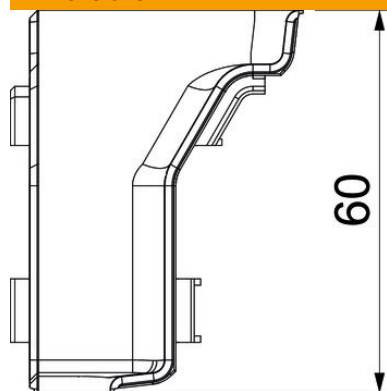
# Technical data sheet

Internal corner SLL IE2050

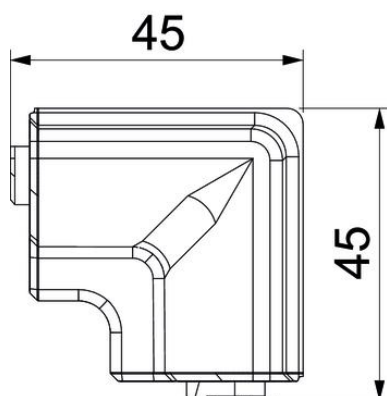
Item number: 6132240



## Dimensions



Length	45 mm
Width	45 mm
Height	60 mm



## Technical data

Version for	Hood fitting
Decoration	Without
Cover sealing lip	Wall/floor
Halogen-free	no
With carpet strip	no
Protection rating	IP40
Protection rating IK code	IK06
Permitted temperature range, max.	60 °C
Permitted temperature range, min.	-5 °C
Angle range, min.	90 mm