

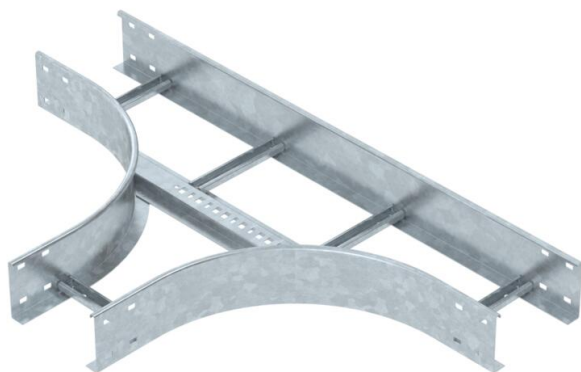
Technical data sheet

T piece 110 FT

Item number: 6225350



T piece, horizontal, with welded rung for all cable ladder types of 110 mm side height.
Connectors should be ordered separately and in the appropriate quantity.



St Steel

FT Hot-dip galvanised

Master data

Item number	6225350
Type	SLT 1120 R3 FT
Description 1	T piece
Description 2	for cable ladder
Manufacturer	OBO
Dimension	110x200
Material	Steel
Surface	Hot-dip galvanised
Surface standard	DIN EN ISO 1461
Smallest sales unit	1
Unit of quantity	Piece
Weight	807.4 kg
Weight unit	kg/100 pc.

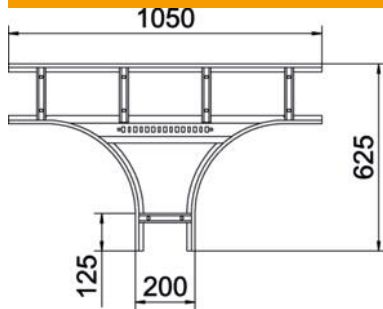
Technical data sheet

T piece 110 FT

Item number: 6225350



Dimensions



Width	200 mm
Height	110 mm
Dimension B	200 mm
Dimension R	300 mm

Technical data

Version of the rungs	Profile unperforated
Side rail version	Flat profile
Connector version	Without connectors
Type	Exit symmetrical
Maintain electrical functions	no
Rustproof steel, pickled	no
Wide-span version	no
Rail thickness	2 mm