

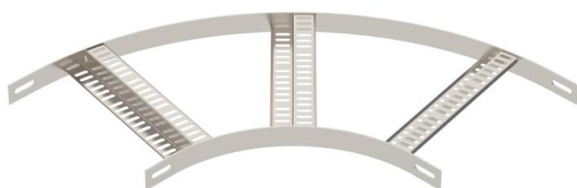
# Technical data sheet

90° bend with Z rung, A4

Item number: 7099265



90° bend for shipbuilding cable ladders, type SLZ L, with side height of 35 mm with welded, perforated Z rungs.  
Connectors should be ordered separately and in the appropriate quantity.



CE

**A4** Stainless steel

**2B** Bright, treated

## Master data

Item number	7099265
Type	SLZB L 90 300 A4
Description 1	90° bend
Description 2	with Z-rung
Manufacturer	OBO
Dimension	B306mm
Material	Stainless steel
Surface	Bright, treated
Surface standard	
Smallest sales unit	1
Unit of quantity	Piece
Weight	178.7 kg
Weight unit	kg/100 pc.

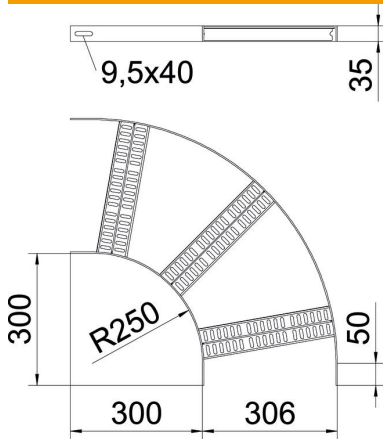
# Technical data sheet

90° bend with Z rung, A4

Item number: 7099265



## Dimensions



Width	300 mm
Height	35 mm

## Technical data

Bend (angle)	90°
Version of the rungs	Profile perforated
Side rail version	Flat profile
Connector version	Without connectors
Maintain electrical functions	no
Change of direction	Horizontal
Rustproof steel, pickled	yes
Hinged	no
Side perforation	no
Wide-span version	no
Rail thickness	3 mm