

Technical data sheet

Cable ladder with trapezoidal rungs, standard ALU

Item number: 7099760



Shipbuilding cable ladder with perforated side rail of side height 40 mm with welded, perforated trapezoidal rungs which open in a downwards direction. The shipbuilding cable ladder is also available in unpainted steel on request.



Alu Aluminium

GB Pickled

Master data

| | |
|---------------------|----------------------------|
| Item number | 7099760 |
| Type | SL 62 500 ALU |
| Description 1 | Cable ladder, shipbuilding |
| Description 2 | with trapezoidal rung |
| Manufacturer | OBO |
| Dimension | 40x510x3000 |
| Material | Aluminium |
| Surface | Pickled |
| Surface standard | |
| Smallest sales unit | 3 |
| Unit of quantity | Metre |
| Weight | 144.833 kg |
| Weight unit | kg/100 m |

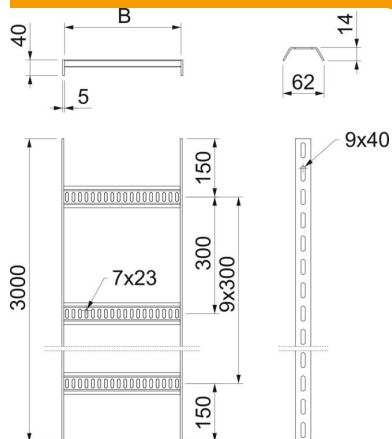
Technical data sheet

Cable ladder with trapezoidal rungs, standard ALU

Item number: 7099760



Dimensions



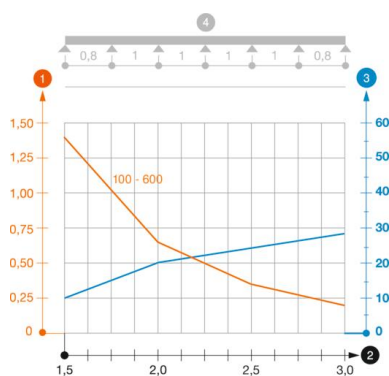
| | |
|-------------|----------|
| Length | 3,000 mm |
| Length | 3,000 ft |
| Width | 500 mm |
| Height | 40 mm |
| Dimension B | 510 mm |

Technical data

| | |
|-------------------------------|--------------------|
| Version of the rungs | Profile perforated |
| Side rail version | Flat profile |
| Fastening of rung | Welded |
| Maintain electrical functions | no |
| Rustproof steel, pickled | no |
| Side perforation | yes |
| Rung distance | 300 mm |
| Wide-span version | no |
| Rail thickness | 5 mm |

Loads

| | |
|-----------------------|-----------|
| Support spacing 1.5 m | 1.4 kN/m |
| Support spacing 2.0 m | 0.65 kN/m |
| Support spacing 2.5 m | 0.35 kN/m |
| Support spacing 3.0 m | 0.2 kN/m |



Load diagram, cable ladder, type SL62 ALU

- 1 Permitted cable tray/ladder load in kN/m without man load
- 2 Support width in m
- 3 Rail bend in mm at permitted kN/m
- 4 Load scheme during testing
- Load curve with cable tray/ladder width in mm
- Strut bend curve according to support width