

Technical data sheet

Side closure, SL GTSA5070 device support

Item number: 6132234



Side end piece for the side closing of the device support.



PVC Polyvinylchloride

Master data

Item number	6132234
Type	SL GTSA5070 rws
Description 1	End joint for mounting box
Description 2	SL 9010 right + left
Manufacturer	OBO
Colour	Pure white; RAL 9010
Material	Polyvinylchloride
Smallest sales unit	10
Unit of quantity	Piece
Weight	0.32 kg
Weight unit	kg/100 pc.

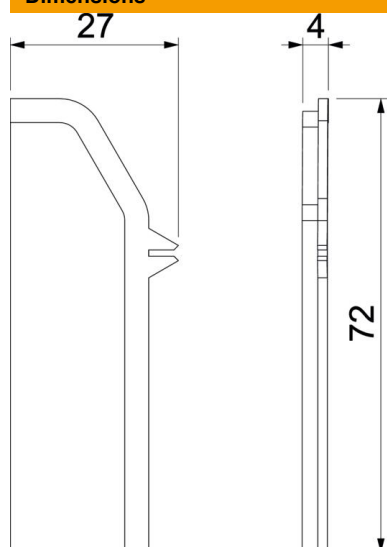
Technical data sheet

Side closure, SL GTSA5070 device support

Item number: 6132234



Dimensions



Length	4 mm
Width	27 mm
Height	72 mm

Technical data

Halogen-free	no
Protection rating	IP40
Protective film	no
Protection rating IK code	IK06
Permitted temperature range, max.	60 °C
Permitted temperature range, min.	-5 °C