

# Technical data sheet

## Coupling SL KUP2050

Item number: 6132226



Trunking coupling for SL, SL-L and SL-T skirting trunking. For connecting the interfaces of the individual trunking covers.  
Easily attached using moulded snap-in hooks.



**PVC** Polyvinylchloride

### Master data

Item number	6132226
Type	SL KUP2050 cws
Description 1	Coupling
Description 2	SL 20x50 9001
Manufacturer	OBO
Colour	Cream; RAL 9001
Material	Polyvinylchloride
Smallest sales unit	10
Unit of quantity	Piece
Weight	0.4 kg
Weight unit	kg/100 pc.

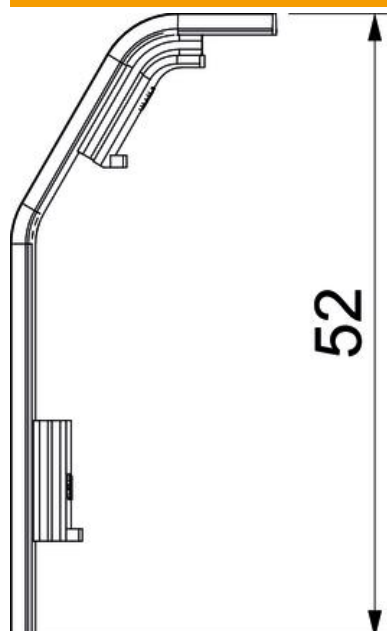
# Technical data sheet

## Coupling SL KUP2050

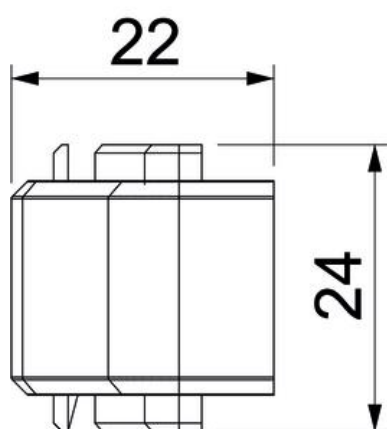
Item number: 6132226



### Dimensions



Length	24 mm
Height	52 mm



### Technical data

Decoration	Without
Cover sealing lip	Without
Halogen-free	no
Protection rating	IP40
Protection rating IK code	IK06
Permitted temperature range, max.	60 °C
Permitted temperature range, min.	-5 °C