

# Technical data sheet

## Coupling SL KUP2070

Item number: 6132231



Trunking coupling for SL, SL-L and SL-T skirting trunking. For linking the joints of individual trunking covers.  
Easily attached using moulded snap-in hooks.



**PVC** Polyvinylchloride

### Master data

Item number	6132231
Type	SL KUP2070 cws
Description 1	Coupling
Description 2	SL 20x70 9001
Manufacturer	OBO
Colour	Cream; RAL 9001
Material	Polyvinylchloride
Smallest sales unit	10
Unit of quantity	Piece
Weight	0.53 kg
Weight unit	kg/100 pc.

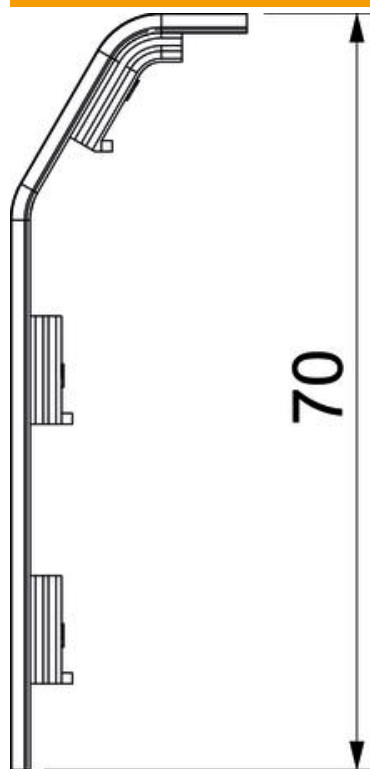
# Technical data sheet

## Coupling SL KUP2070

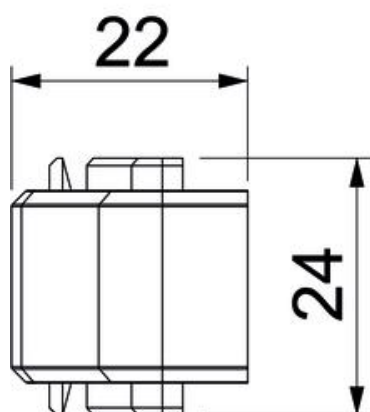
Item number: 6132231



### Dimensions



Length	24 mm
Height	70 mm



### Technical data

Decoration	Without
Cover sealing lip	Without

# Technical data sheet

Coupling SL KUP2070

Item number: 6132231



## Technical data

Halogen-free	no
Protection rating	IP40
Protection rating IK code	IK06
Permitted temperature range, max.	60 °C
Permitted temperature range, min.	-5 °C