

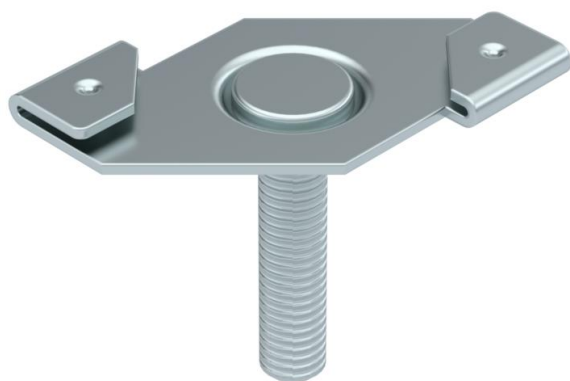
Technical data sheet

Ceiling profile clamp, with threaded bolt

Item number: 1488605



Ceiling profile clamp with threaded bolt for individual mounting solutions on suspended ceilings. Suitable for support profiles with a width of 25 mm, fastening by clamping



CE

- St** Steel
- ZL** Zinc slat

Master data

Item number	1488605
Type	SPC M6x25
Description 1	Ceiling profile clamp
Description 2	with threaded bolt
Manufacturer	OBO
Dimension	M6x25mm
Material	Steel
Surface	Zinc slat
Surface standard	
Smallest sales unit	100
Unit of quantity	Piece
Weight	1.25 kg
Weight unit	kg/100 pc.

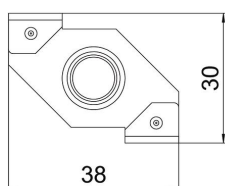
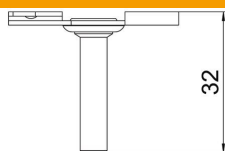
Technical data sheet

Ceiling profile clamp, with threaded bolt

Item number: 1488605



Dimensions



Length	38 mm
Width	30 mm
Height	32 mm
Dimension H	32 mm

Technical data

Connection type/component	Thread
Fastening type	Clamp
Flange thickness F max.	1.5 mm
Flange thickness F min.	1 mm
Thread	M6x25
Thread metric	6
Hinge, adjustable	no
Hinged	no