

# Technical data sheet

0° socket, with earthing pin, encoded version, single

Item number: 6120312



Socket with earthing pin, single 0°, encoded version, with increased touch protection, with screwless terminals, 2-pin, 16 A, 250 V~, with connection terminals according to IEC 60884-1.

The socket can only be used in connection with an encoding pin of type CST-STD.

Note: The encoding pin is not contained in the scope of supply.

For installation in Rapid 45 trunking, device installation trunking, service poles, underfloor systems and desk boxes.



PC Polycarbonate

## Master data

Item number	6120312
Type	STD-F0K SRO1
Description 1	Socket 0°, single, coded
Description 2	with earth pin
Manufacturer	OBO
Dimension	250V, 10/16A
Colour	Signal red; RAL 3001
Material	Polycarbonate
Smallest sales unit	1
Unit of quantity	Piece
Weight	4 kg
Weight unit	kg/100 pc.

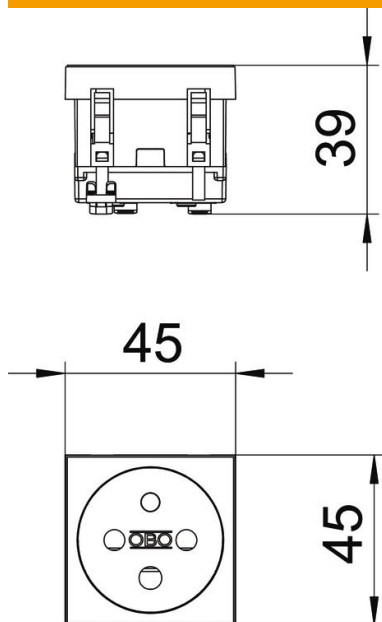
# Technical data sheet

0° socket, with earthing pin, encoded version, single

Item number: 6120312



## Dimensions



Width	45 mm
Height	45 mm

## Technical data

Cover	Central plate
Closable	no
Connection type	Screwless terminal
Number of units	1
Number of modules (for modular construction)	0
Number of switchable sockets	0
Number of poles	2
Printed label/coding	Without printing
Version for	Single 0°
Surface version	Matt
Version for	Protective contact pin
Ejection mechanism	no
Fastening type	Lock
Labelling panel	no
Operating temperature, max.	40 °C
Operating temperature, min.	-5 °C
increased touch protection	yes
Error current protection	no
For more difficult conditions (according to VDE)	no
Halogen-free	yes
Insulated installation	no
Hinged cover	no
Coding	yes
Warning light	no
With on/off switch	no

# Technical data sheet

0° socket, with earthing pin, encoded version, single

Item number: 6120312



## Technical data

With fine-wire fuse	no
With functional lighting	no
With orientation lighting	no
Mounting type	Device installation duct
Nominal voltage	250 V
Nominal current	16 A
Protection rating	Other
Special power supply	Without special power supply
Socket version	NF
Socket angle	0°
Depth	39 mm
Transparent	no
Rotated central insert	no
Surge protection	no