

Technical data sheet

Hot-dip galvanised steel sleeve, without thread

Item number: 2046620



Accessory part: plug-in sleeve for the connections between electrical installation pipes. With burr-free inner wall.



- St** Steel
- FT** Hot-dip galvanised

Master data

Item number	2046620
Type	SV16W FT
Description 1	Conduit plug-in coupler
Description 2	without thread
Manufacturer	OBO
Dimension	Ø16mm
Material	Steel
Surface	Hot-dip galvanised
Surface standard	DIN EN ISO 1461
Smallest sales unit	25
Unit of quantity	Piece
Weight	2.2 kg
Weight unit	kg/100 pc.

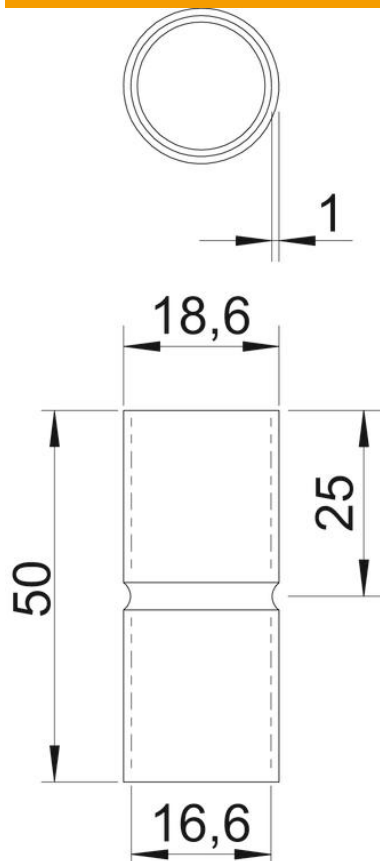
Technical data sheet

Hot-dip galvanised steel sleeve, without thread

Item number: 2046620



Dimensions



Length	50 mm
Dimension D	18.6 mm
Dimension d	16.6 mm
Dimension L	50 mm
Dimension l	25 mm
Dimension m (mm)	M16
Dimension t	1 mm

Technical data

Version for pipe diameter	16 mm
Size	16
Halogen-free	yes
With inspection opening and lid	no
Brushed surface	no
Polished surface	no
Permitted temperature range, max.	400 °C
Permitted temperature range, min.	-45 °C
Two-part	no