

Technical data sheet

Stainless steel sleeve V4A

Item number: 2046774



Accessory part: plug-in sleeve for the connections between electrical installation pipes. With burr-free inner wall.



A4 Stainless steel

2B Bright, treated

Master data

Item number	2046774
Type	SV40W A4
Description 1	Stainl.steel connection sleeve
Description 2	without thread
Manufacturer	OBO
Dimension	Ø40mm
Material	Stainless steel
Surface	Bright, treated
Surface standard	
Smallest sales unit	10
Unit of quantity	Piece
Weight	10.3 kg
Weight unit	kg/100 pc.

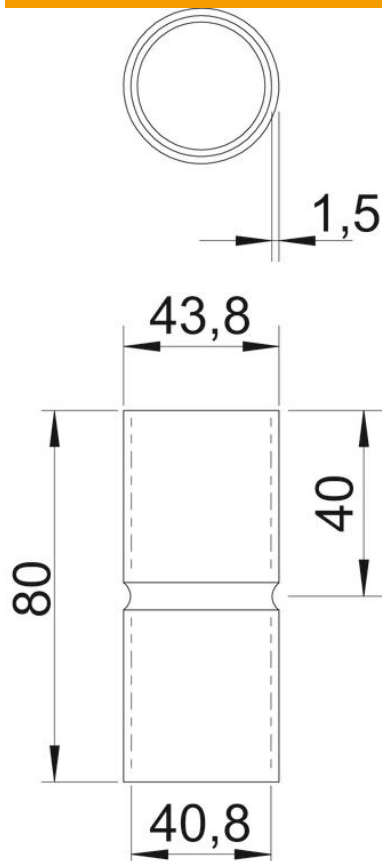
Technical data sheet

Stainless steel sleeve V4A

Item number: 2046774



Dimensions



Length	80 mm
Dimension D	42.7 mm
Dimension d	40.2 mm
Dimension L	80 mm
Dimension l	40 mm
Dimension m (mm)	M40
Dimension t	1.25 mm

Technical data

Version for pipe diameter	40 mm
Size	40
Halogen-free	yes
With inspection opening and lid	no
Brushed surface	yes
Polished surface	no
Permitted temperature range, max.	400 °C
Permitted temperature range, min.	-45 °C
Two-part	no