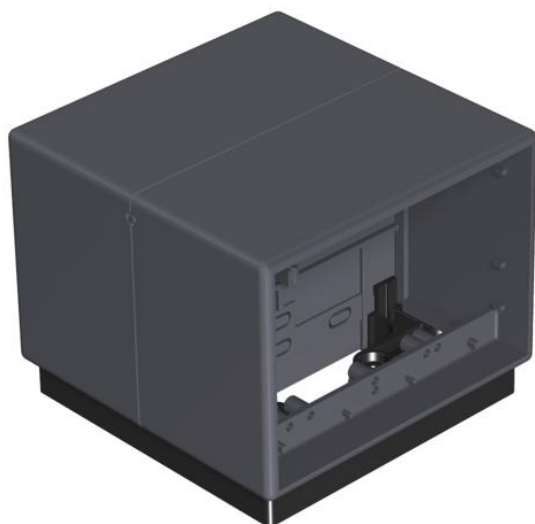


# Technical data sheet

## Telitank T4B

Item number: 7408288



For combined installation of four individual accessories with support bracket (four accessories of one current type or two accessories each for two current types). The different current types are insulated against each other by a partition. Screw fixing groove for accessories: 60 mm vertical.



PA Polyamide

### Master data

Item number	7408288
Type	T4B 00C 7011
Description 1	Telitank
Manufacturer	OBO
Dimension	118x118x97
Colour	Iron grey; RAL 7011
Material	Polyamide
Smallest sales unit	1
Unit of quantity	Piece
Weight	32.2 kg
Weight unit	kg/100 pc.

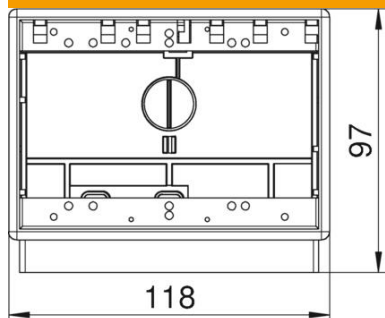
# Technical data sheet

Telitank T4B

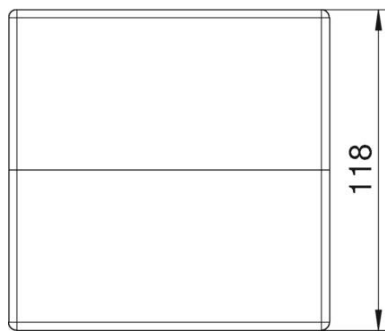
Item number: 7408288



## Dimensions



Length	118 mm
Width	118 mm
Height	97 mm



## Technical data

Number of installable devices	4
Number of installable devices, rear side	2
Number of installable devices, front side	2
Version for	Horizontal
Suitable for wet care	yes
Suitable for standard switch material	yes