

Technical data sheet

Cover plate, Telitank T4L/T8NL, Modul 45® installation opening

Item number: 7408456



Cover plate with rectangular opening for a triple Modul 45 socket, suitable for lengthwise side of T4L and T8NL (1/1 cover).



PA Polyamide

Master data

Item number	7408456
Type	T8NL P105 7035
Description 1	Cover plate
Description 2	triple Modul 45 for T4L/T8NL
Manufacturer	OBO
Colour	Light grey; RAL 7035
Material	Polyamide
Smallest sales unit	1
Unit of quantity	Piece
Weight	3.76 kg
Weight unit	kg/100 pc.

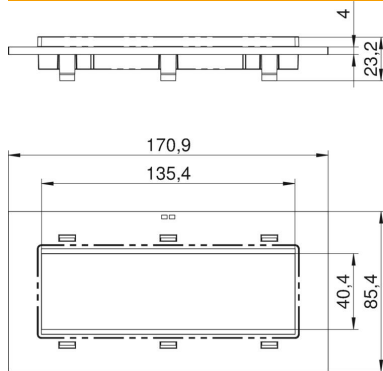
Technical data sheet

Cover plate, Telitank T4L/T8NL, Modul 45® installation opening

Item number: 7408456



Dimensions



Width 170 mm

Technical data

Application	On-floor tank
Number of CEE/Perilex openings	0
Number of triple openings	0
Number of single openings	0
Number of oval openings	0
Number of square openings	1
Number of round openings	0
Number of double openings	0
Fastening type	Lockable
Labelling panel	no
Blanking lid	no
Suitable for labelling panel	no
Installation technology	Grid M45