

Technical data sheet

Chuck jaw, light duty TKS FT

Item number: 6355808



Chuck jaw with hexagonal nut for direct fastening of structures to steel girders. The clamping range of the clamping claw is limited to a maximum of 25 mm.



St Steel

FT Hot-dip galvanised

Master data

Item number	6355808
Type	TKS-L-25 FT
Description 1	Tensioning claw, light
Description 2	with combination nut
Manufacturer	OBO
Dimension	M10x50
Material	Steel
Surface	Hot-dip galvanised
Surface standard	DIN EN ISO 1461
Smallest sales unit	10
Unit of quantity	Pair
Weight	39.2 kg
Weight unit	kg/100 pairs

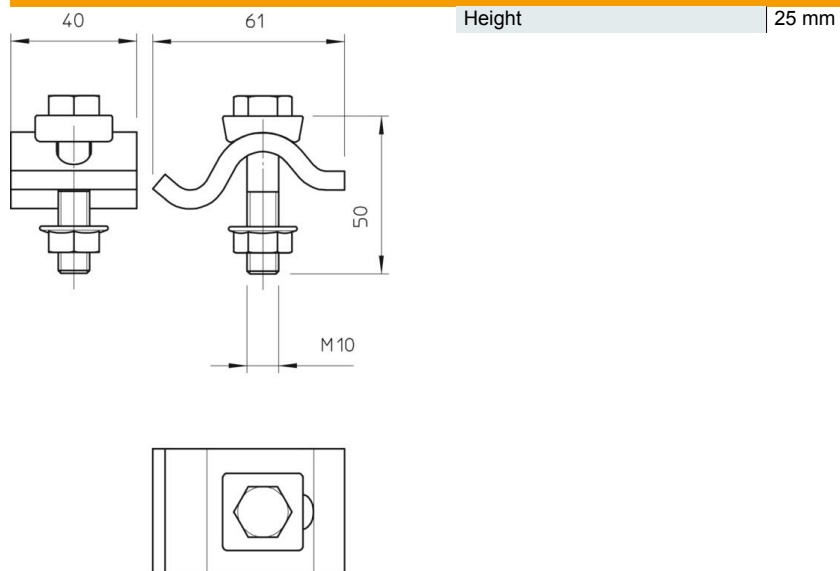
Technical data sheet

Chuck jaw, light duty TKS FT

Item number: 6355808



Dimensions



Technical data

F in kN	10 kN
Suitable for flange thickness, max.	25 mm
Suitable for flange thickness, min.	15 mm
Thread metric	10
Bolt	M10 x 50