

Technical data sheet

Beam clamp, multifunctional

Item number: 1485148



The multifunctional beam clamp is suitable for fastening cables, protective pipes and cable sections on steel girders of any size (one clip for every application). Here, the beam clamp is very versatile thanks to various fastening options. Mounting of the beam clamp is quick and efficient, with no need for welding or drilling. It is simply mounted by hammering or pushing into place. The beam clamp can be used in both internal and external areas.



- St** Steel
- ZDM** Galvanised, MAGNI 565

Master data

| | |
|---------------------|-----------------------|
| Item number | 1485148 |
| Type | TK MULTI 24 |
| Description 1 | Beam clamp |
| Description 2 | multifunctional |
| Manufacturer | OBO |
| Dimension | 16-24mm |
| Material | Steel |
| Surface | Galvanised, MAGNI 565 |
| Surface standard | |
| Smallest sales unit | 50 |
| Unit of quantity | Piece |
| Weight | 0.17 kg |
| Weight unit | kg/100 pc. |

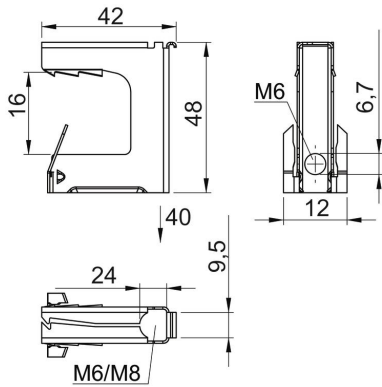
Technical data sheet

Beam clamp, multifunctional



Item number: 1485148

Dimensions



| | |
|------------------|---------|
| Width | 42 mm |
| Height | 48 mm |
| Dimension A | 24 mm |
| Dimension B | 42 mm |
| Dimension d min. | 12 mm |
| Dimension E | 38.2 mm |
| Dimension F | 40 mm |
| Dimension G (mm) | 28 |
| Dimension H | 48 mm |

Technical data

| | |
|---------------------------|---------------|
| Connection type/component | Miscellaneous |
| Fastening type | Clamp |
| Breaking load | 1.2 kN |
| Flange thickness F max. | 24 mm |
| Flange thickness F min. | 16 mm |
| Hinge, adjustable | no |
| Hinged | no |