

# Technical data sheet

## Ceiling bracket, trapezoidal FS

Item number: 6357506



Trapezoidal fastening for suspended mounting of cable support systems on standard trapezoidal ceilings.

Important: Observe the statics of the trapezoidal metal ceiling.

When using the holes provided, the trapezoidal fastening can be mounted onto a trapezoidal profile width of up to approx. 80 mm. Fastening takes place with the type TPB R lock or a hexagonal bolt of type SKS 10x110.

For fastening to trapezoidal ceilings. Scope of supply without bolt, type TPB/R.



**St** Steel

**FS** Strip galvanized

### Master data

Item number	6357506
Type	TPB 100 FS
Description 1	Trapezoidal fastening
Manufacturer	OBO
Dimension	100x116
Material	Steel
Surface	Strip galvanized
Surface standard	DIN EN 10346
Smallest sales unit	20
Unit of quantity	Piece
Weight	9.9 kg
Weight unit	kg/100 pc.

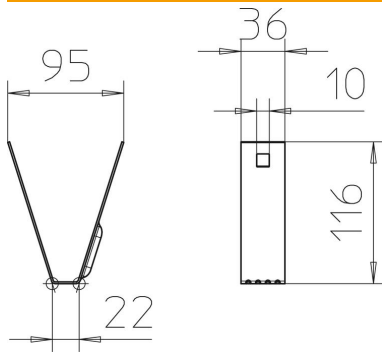
# Technical data sheet

## Ceiling bracket, trapezoidal FS

Item number: 6357506



### Dimensions



Length	36 mm
Width	100 mm
Height	116 mm

### Technical data

F in kN	0.8 kN
Maintain electrical functions	no
Suitable for metric threaded rod	10
Material thickness	1.5 mm
Rustproof steel, pickled	no
Hinged	no
Adjustable	yes