

Technical data sheet

TP wall and ceiling bracket FT

Item number: 6365977



TP wall and ceiling bracket with clamping lugs for screwless mesh cable tray fastening.

If the wall and ceiling bracket is fastened directly to the wall or ceiling, then, for reasons of stability, always use the spacer, type DS 4.

Max. side height of the cable support system 60 mm.



St Steel

FT Hot-dip galvanised

Master data

Item number	6365977
Type	TPDG 145 FT
Description 1	Wall and ceiling bracket
Description 2	for mesh cable tray
Manufacturer	OBO
Dimension	B145mm
Material	Steel
Surface	Hot-dip galvanised
Surface standard	DIN EN ISO 1461
Smallest sales unit	6
Unit of quantity	Piece
Weight	55 kg
Weight unit	kg/100 pc.

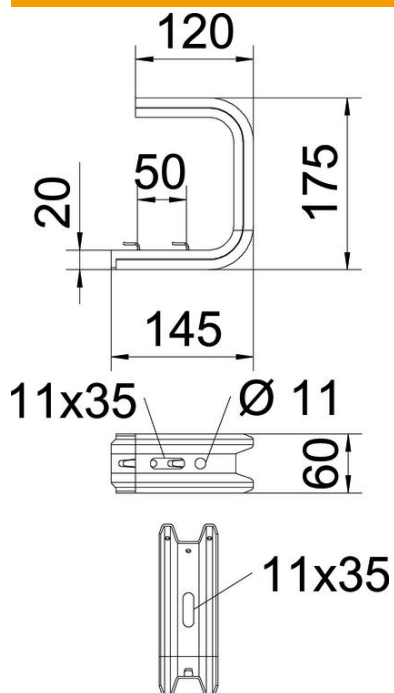
Technical data sheet

TP wall and ceiling bracket FT

Item number: 6365977

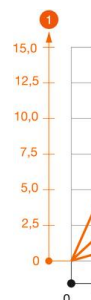


Dimensions

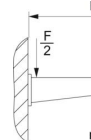


Length	175 mm
Width	145 mm
Height	60 mm
Dimension B	145 mm
Dimension L	50 mm

Loads



Chara



Max. total
lues give

Technical data

Version for	Suspension bracket (C clamp)
F in kN ceiling	1.3 kN
F in kN wall	1.4 kN
Maintain electrical functions	no
for width max.	100 mm
for width min.	100
Suitable for mesh cable tray	yes
Suitable for cable ladder	no
Suitable for cable tray	no
Suitable for tray/ladder width	100 mm