

Technical data sheet

TP wall and ceiling bracket FS

Item number: 6363822



TP wall and ceiling bracket for universal use.
Important! If the wall and ceiling bracket is fixed directly to the wall or ceiling, then, for reasons of stability, always use the spacer, type DS 4.



St Steel

FS Strip galvanized

Master data

Item number	6363822
Type	TPD 345 FS
Description 1	Wall and ceiling bracket
Description 2	TP profile
Manufacturer	OBO
Dimension	B345mm
Material	Steel
Surface	Strip galvanized
Surface standard	DIN EN 10346
Smallest sales unit	1
Unit of quantity	Piece
Weight	78 kg
Weight unit	kg/100 pc.

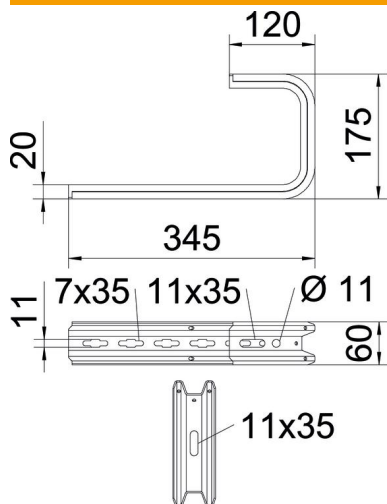
Technical data sheet

TP wall and ceiling bracket FS

Item number: 6363822

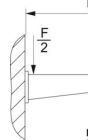


Dimensions



Length	345 mm
Width	345 mm
Height	60 mm
Dimension B	345 mm
Dimension H	175 mm

Chara

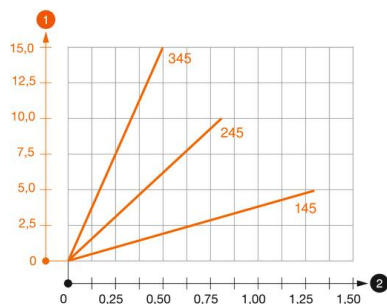


Max. tota
lues give

Technical data

Version for	Suspension bracket (C clamp)
F in kN ceiling	0.5 kN
F in kN wall	0.55 kN
Maintain electrical functions	no
for width max.	300 mm
for width min.	300
Suitable for mesh cable tray	yes
Suitable for cable ladder	yes
Suitable for cable tray	yes
Suitable for tray/ladder width	300 mm
Adjustable	no

Loads



Load diagram, ceiling bracket TPD

- 1** Bending of the bracket tip at permitted bracket load
- 2** Permitted bracket load in kN without man load
- Load curve with bracket lengths in mm