

# Technical data sheet

## TP support / wall and support bracket A2

Item number: 6366145



TP bracket with clamping lugs for screwless mesh cable tray fastening.  
If the bracket is fastened directly to the wall or the profiles are screwed together, then, for reasons of stability, always use the spacer, type DS 4.  
Mesh cable trays with a 50 x 100 mm grid width, e.g. type GRL, GR and GRM, can be fastened to the TP bracket without screws.



**A2** Stainless steel

**2B** Bright, treated

### Master data

Item number	6366145
Type	TPSAG 145 A2
Description 1	TP wall and support bracket
Description 2	for mesh cable tray
Manufacturer	OBO
Dimension	B145mm
Material	Stainless steel
Surface	Bright, treated
Surface standard	
Smallest sales unit	1
Unit of quantity	Piece
Weight	32 kg
Weight unit	kg/100 pc.

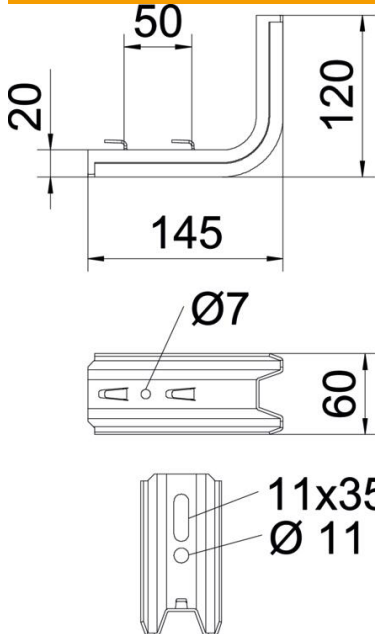
# Technical data sheet

## TP support / wall and support bracket A2



Item number: 6366145

### Dimensions

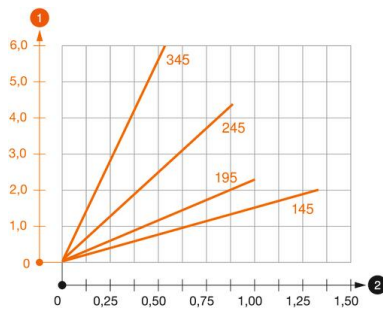


Length	145 mm
Width	60 mm
Height	120 mm
Dimension B	60 mm
Dimension H	120 mm
Dimension L	145 mm
Maß W	50 mm

### Technical data

F in kN	1.5 kN
Maintain electrical functions for width max.	no
for width min.	100 mm
Rustproof steel, pickled	100
	no

### Loads



#### Load diagram, bracket, type TPSAG

- 1 Bending of the bracket tip at permitted bracket load
- 2 Permitted bracket load in kN without man load
- 2 Support width in m

# Technical data sheet

## TP support / wall and support bracket A2

Item number: 6366145



### Characteristic anchor load values for TP bracket

Single-sided bracket load			
Max. total load F in kN			
Bracket length in mm			
F kN	145	245	345
2.4	1.50	0.90	0.55
4.3	1.50	1.3	0.80

Max. total load F = cable weight + cable tray + ceiling clamp. The load capacity values increase considerably when used in uncracked concrete. The values given are based on concrete of strength class C20/25.