

Technical data sheet

TP support / wall and support bracket FT

Item number: 6366135



TP bracket with clamping lugs.

If the bracket is fastened directly to the wall or the profiles are screwed together, then, for reasons of stability, always use the spacer, type DS 4.

Mesh cable trays with a 50 x 100 mm grid width, e.g. type GRL, GR and GRM, can be fastened to the TP bracket without screws.



St Steel

FT Hot-dip galvanised

Master data

Item number	6366135
Type	TPSAG 195 FT
Description 1	TP wall and support bracket
Description 2	for mesh cable tray
Manufacturer	OBO
Dimension	B195mm
Material	Steel
Surface	Hot-dip galvanised
Surface standard	DIN EN ISO 1461
Smallest sales unit	1
Unit of quantity	Piece
Weight	42 kg
Weight unit	kg/100 pc.

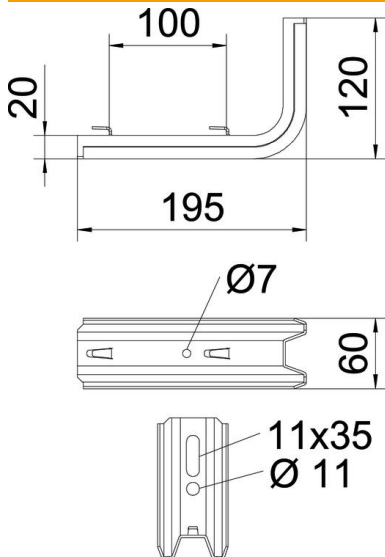
Technical data sheet

TP support / wall and support bracket FT

Item number: 6366135



Dimensions



Length	195 mm
Width	120 mm
Height	60 mm
Dimension L	100 mm
Maß W	100 mm

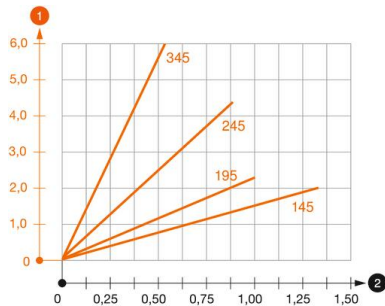
Chara

The load strength

Technical data

Version for	Wall and support bracket
F in kN	1 kN
Maintain electrical functions for width max.	no
for width min.	150 mm
Rustproof steel, pickled	no

Loads



Load diagram, bracket, type TPSAG

- 1 Bending of the bracket tip at permitted bracket load
- 2 Permitted bracket load in kN without man load
- 2 Support width in m