

Technical data sheet

Bracket TPSA

Item number: 6364276



Bracket for mounting on TPS suspended supports or as wall bracket for standard cable tray routing type for function maintenance to DIN 4102 Part 12.



- St** Steel
- FS** Strip galvanized

Master data

Item number	6364276
Type	TPSA 395 FS
Description 1	TP wall and support bracket
Description 2	use as support and bracket
Manufacturer	OBO
Dimension	B395mm
Material	Steel
Surface	Strip galvanized
Surface standard	DIN EN 10346
Smallest sales unit	1
Unit of quantity	Piece
Weight	65 kg
Weight unit	kg/100 pc.

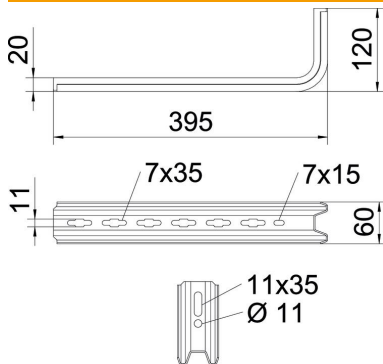
Technical data sheet

Bracket TPSA

Item number: 6364276



Dimensions



Length	395 mm
Width	60 mm
Height	20 mm
Dimension B	395 mm

Technical data

Version for	Wall and support bracket
Maintain electrical functions	yes
for width max.	300 mm
for width min.	300
Rustproof steel, pickled	no