

Technical data sheet

Barrier strip 60 FT SOMY

Item number: 7190495



Barrier strip for the separation of cables of different voltages or functions. The surface coating is a coating created in a single-dip method with extra-high zinc thicknesses.



St Steel

**FT
SO** Hot-dip galvanised 85 µm

Master data

Item number	7190495
Type	TSG 60 FT SO
Description 1	Barrier strip
Description 2	for cable tray and ladder
Manufacturer	OBO
Dimension	60x2995
Material	Steel
Surface	Hot-dip galvanised 85 µm
Surface standard	DIN EN ISO 1461
Smallest sales unit	3
Unit of quantity	Metre
Weight	66.2 kg
Weight unit	kg/100 m

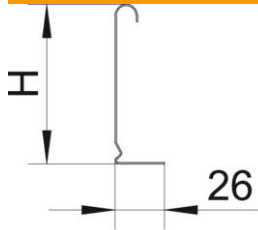
Technical data sheet

Barrier strip 60 FT SOMY

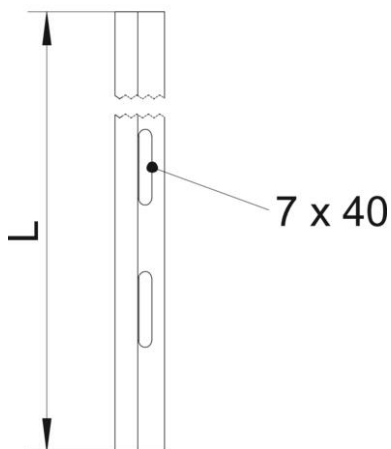
Item number: 7190495



Dimensions



Length	3,000 mm
Width	26 mm
Height	56 mm
Plate thickness	0.75 mm
Dimension H (Inch)	56 in
Dimension H	56 mm
Dimension L	3,000 mm



Technical data

Version for	L profile
Fastening type	Screw-on
Fastening perforation (ETIM)	no
Maintain electrical functions	no
Suitable for mesh cable tray	yes
Suitable for cable ladder	yes
Suitable for cable tray	yes
Rustproof steel, pickled	no