

Technical data sheet

T 100 junction box, with strain relief entries IP 31



Item number: 2007805



Junction box with strain relief entries for the connection of cables indoors and in protected outdoor areas. Rectangular design with knock-out entries to the sides and knock-out entries in the bottom. Suitable for wall and ceiling mounting and on mounting panels. With the option of fastening inside and to mount via the corner domes. Cover with quick lock, sealable. Made from halogen-free and UV-resistant materials.

Junction box according to DIN EN 60670. Flame-resistant to DIN EN 60695/2/11, test temperature 650 °C. Impact resistance IK07 according to DIN EN 50102.



PP Polypropylene

Master data

Item number	2007805
Type	T 100 ZE IP30
Description 1	Junction box
Description 2	with strain relief entries
Manufacturer	OBO
Dimension	150x116x67
Colour	Light grey; RAL 7035
Material	Polypropylene
Smallest sales unit	1
Unit of quantity	Piece
Weight	14.6 kg
Weight unit	kg/100 pc.

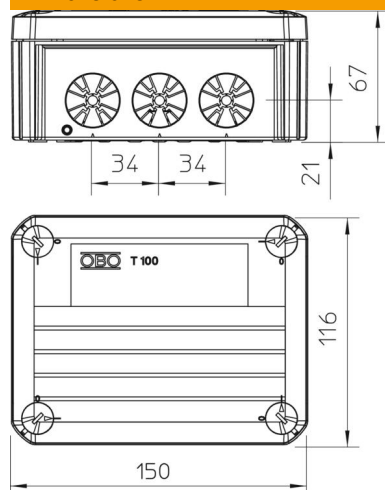
Technical data sheet

T 100 junction box, with strain relief entries IP 31



Item number: 2007805

Dimensions



Length	150 mm
Width	116 mm
Height	67 mm

Technical data

Expandable	yes
No. of entries	10
Type of insertion...	Strain relief entries for direct penetrations for cable diameters of 7-21 mm
Type of entry	Cable
Type of housing penetration	Pre-marking
Measured insulation voltage V_i	500 V
Equipment	Without
Cover	Not transparent
Cover fastening	Screwed
Entry from rear	yes
Entries	10
Explosion-tested version	no
Flame-resistant	acc. to VDE 0471/DIN 695 Part 2-1, test temperature 650°C
Shape	Rectangular
Maintain electrical functions	Without
For Ex zone	Without
For Ex zone gas	Without
For Ex zone dust	Without
Halogen-free	yes
Clear internal dimensions	136x102x57 mm
With screening	no
with lid	yes
Mounting type	Wall/ceiling mounting
Nominal cross-section, min.	10 mm ²
Nominal voltage	500 V
Sealable	yes
Protection rating	IP30
Protection rating IK code	IK07.
Permitted temperature range, max.	60 °C

Technical data sheet

T 100 junction box, with strain relief entries IP 31

Item number: 2007805



Technical data

Permitted temperature range, min.	-5 °C
Weatherproof	no