

Technical data sheet

Junction box T60, with knock-out entries

Item number: 2007926



Junction box for the connection of cables and lines indoors and in protected outdoor areas. Square design with knock-out entries to the sides and knock-out entries in the bottom. Suitable for wall and ceiling mounting and on mounting panels. With the option to fasten inside and to mount via the corner domes. With fixed clamping cover. Made from halogen-free and UV-resistant materials.

Junction box according to DIN EN 60670. Flame-resistant to DIN EN 60695/2/11, test temperature 650 °C. Impact resistance IK07 according to DIN EN 50102.

Clear internal dimensions: 100x100x48 mm



PP Polypropylene

Master data

| | |
|---------------------|----------------------|
| Item number | 2007926 |
| Type | T 60 M25 |
| Description 1 | Junction box |
| Description 2 | M25 entry |
| Manufacturer | OBO |
| Dimension | 114x114x57 |
| Colour | Light grey; RAL 7035 |
| Material | Polypropylene |
| Smallest sales unit | 5 |
| Unit of quantity | Piece |
| Weight | 12.3 kg |
| Weight unit | kg/100 pc. |

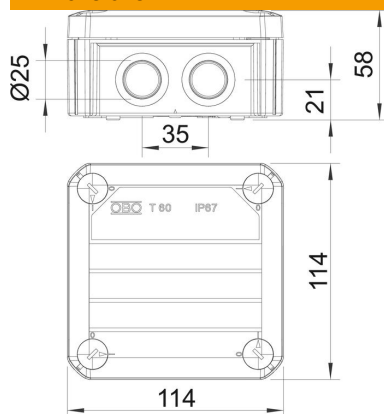
Technical data sheet

Junction box T60, with knock-out entries



Item number: 2007926

Dimensions



| | |
|--------|--------|
| Length | 114 mm |
| Width | 114 mm |
| Height | 57 mm |

Technical data

| | |
|-----------------------------------|---|
| Expandable | yes |
| No. of entries | 7 |
| Type of insertion... | Plug-in seal |
| Type of entry | Gland |
| Type of housing penetration | Pre-marking |
| Measured insulation voltage V_i | 500 V |
| Equipment | Without |
| Cover | Not transparent |
| Cover fastening | Screwed |
| Entry from rear | yes |
| Entries | 7 x Ø25 |
| Explosion-tested version | no |
| Flame-resistant | acc. to VDE 0471/DIN 695 Part 2-1, test temperature 650°C |
| Shape | Square |
| Maintain electrical functions | Without |
| For Ex zone | Without |
| For Ex zone gas | Without |
| For Ex zone dust | Without |
| Fibre-glass reinforced | no |
| Halogen-free | yes |
| Clear internal dimensions | 100x100x48 mm |
| With screening | no |
| with lid | yes |
| Mounting type | Wall/ceiling mounting |
| Nominal cross-section, min. | 6 mm ² |
| Nominal voltage | 500 V |
| Sealable | yes |
| Protection rating | IP67 |
| Protection rating IK code | IK07. |
| Permitted temperature range, max. | 60 °C |
| Permitted temperature range, min. | -5 °C |
| Weatherproof | no |