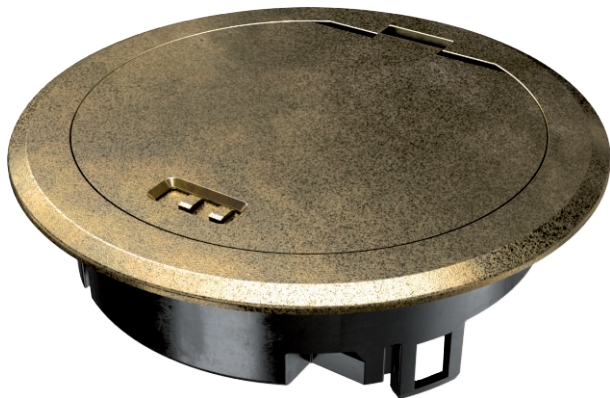


Technical data sheet

Service outlet with hinged cover and locking slider,
GES R2, old brass
Item no. 7408852



Service outlet with hinged cover and locking slider for GES R2 floor socket for direct installation in the MT R2 installation socket.
When closed, the floor socket can be wet-cleaned.

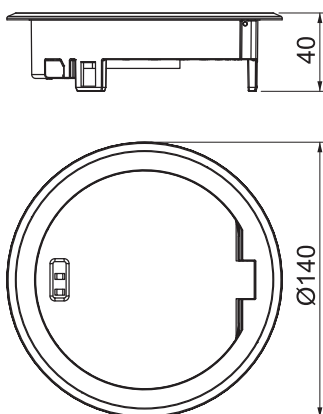


| | |
|------------|---------------|
| Zn | Die-cast zinc |
| CuZn 37 | Brass-coated |

Master data

| | |
|--------------------------|-------------------|
| Item no. | 7408852 |
| Type | GES R2 CuZn |
| Description 1 | Floor socket |
| Description 2 | with hinged cover |
| Material | Die-cast zinc |
| Material symbol | Zn |
| Surface | Brass-coated |
| Surface symbol | CuZn |
| Smallest sales unit (VG) | 1 Piece |
| Weight | 58,50 kg/100 pc. |

Technical data



| | |
|--|-------------------------------------|
| External diameter | 140,00 mm |
| Cable outlet version | Swivellable cord outlet |
| Floor covering protection frame | <input checked="" type="checkbox"/> |
| Floor care | Wet |
| Version for | Round |
| Installation depth | 85,00 mm |
| Suitable for wet care | <input checked="" type="checkbox"/> |
| Suitable for raised floor installation | <input checked="" type="checkbox"/> |
| Suitable for cavity floor installation | <input checked="" type="checkbox"/> |
| Suitable for underfloor ducts | <input type="checkbox"/> |
| With floor covering recess | <input type="checkbox"/> |
| Standard | EN 50085-2-2 |
| Opening mechanism | Locking slider |
| Protection rating (IP) when used | IP20 |
| Protection rating (IP) when unused | IP66 |
| Protection rating IK code | IK10 |
| Approvals | |
| Vertical load, small area | to 3,000 N |
| Vertical load, large area | to 15,000 N |