

Technical data sheet

Underfloor outlet for raised floor mounting, RF plate thickness to 38 mm

Item number: 7408578



For the installation of an accessory or the setup of a Telitank in raised floors with plate thicknesses of up to 38 mm.



Zn Die-cast zinc

Master data

Item number	7408578
Type	US80 DB 20
Description 1	Underfloor outlet
Description 2	for RF thicknesses <38 mm
Manufacturer	OBO
Material	Die-cast zinc
Smallest sales unit	1
Unit of quantity	Piece
Weight	41.5 kg
Weight unit	kg/100 pc.

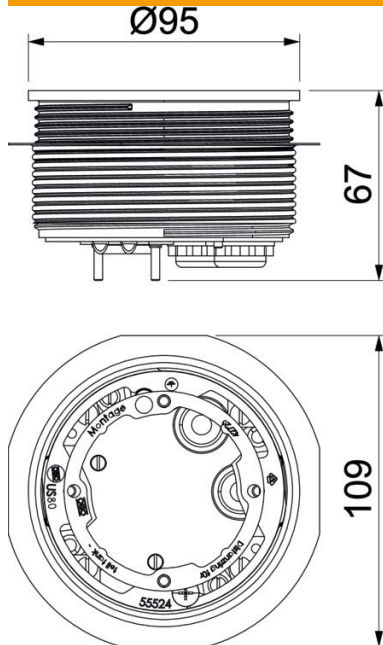
Technical data sheet

Underfloor outlet for raised floor mounting, RF plate thickness to 38 mm

Item number: 7408578



Dimensions



Dimension h | 53 mm

Technical data

Expansion option	For raised tank
Cover version	Round
Seal installation option	no
For pipe connection	no