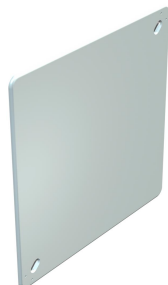


# Technical data sheet

## Box cover

Item number: 2003244



Box cover suitable for the connection sockets, type UV...K, cover edge is flush, surface is roughened, cover bolts can be lowered.



**PS** Polystyrene

### Master data

Item number	2003244
Type	UV 100 D
Description 1	Box lid
Description 2	concealed
Manufacturer	OBO
Dimension	114x114x1,5
Colour	White
Material	Polystyrene
Smallest sales unit	10
Unit of quantity	Piece
Weight	2.004 kg
Weight unit	kg/100 pc.

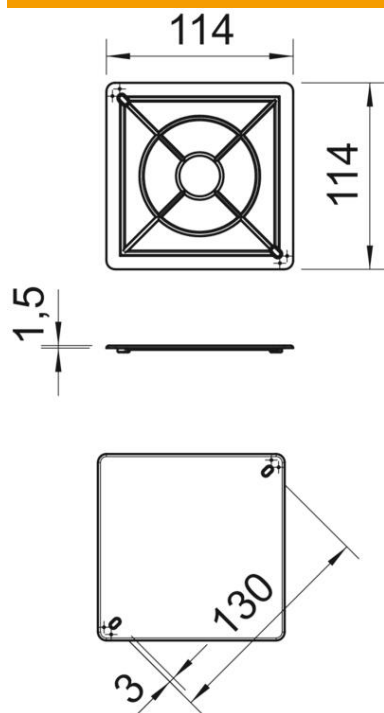
# Technical data sheet

## Box cover

Item number: 2003244



### Dimensions



Length	114 mm
Width	114 mm
Height	1.5 mm
Dimension A	130 mm
Dimension B	114 mm
Dimension s	1.5 mm

### Technical data

Fastening type	Screw-on lid
Flame-resistant	acc. to VDE 0471/DIN 695 Part 2-1, test temperature 650°C
Shape	Square
Halogen-free	yes
With bolts	no
Sealable	yes