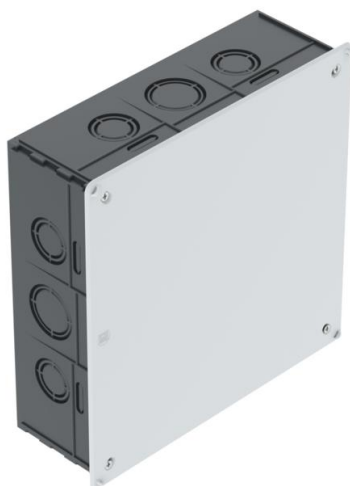


Technical data sheet

Flush-mounted connection box 200

Item number: 2003130



Flush-mounted connection box for clamping terminals, for use in masonry with an installation depth of at least 65 mm. With cover and cover screws (15 mm). Flat cover edge, roughened surface.

- 4 side combination pipe entries of Ø 34.6 and 28.5 mm
- 8 side combination pipe entries of Ø 28.5 and 21.5 mm
- 8 side entries for flat cables/ribbon cables
- 2 combination pipe entries of Ø 34.6 and 28.5 mm at the base
- 2 entries for flat cables/ribbon cables at the base



PS Polystyrene

Master data

Item number	2003130
Type	UV 200 K
Description 1	Connection box
Description 2	flush-mounted
Manufacturer	OBO
Dimension	200x200x65
Colour	Black
Material	Polystyrene
Smallest sales unit	10
Unit of quantity	Piece
Weight	35.714 kg
Weight unit	kg/100 pc.

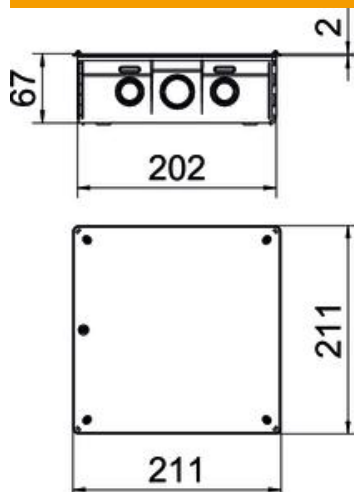
Technical data sheet

Flush-mounted connection box 200

Item number: 2003130



Dimensions



Length	200 mm
Width	200 mm
Height	65 mm
Dimension A	260 mm
Dimension B	210 mm
Dimension H	65 mm

Technical data

No. of entries	24
Type of insertion...	NYM cables, data cables and corrugated pipes
Type of housing penetration	Pre-marking
Version for	Single
Type	Connection socket/box
Equipment	Without
Cover	Not transparent
Cover fastening	Screwed
Entry from rear	no
Entries	24
Flame-resistant	acc. to VDE 0471/DIN 695 Part 2-1, test temperature 650°C
Shape	Square
Maintain electrical functions	Without
Floor height, min.	67 mm
Halogen-free	no
With screening	no
With nail strap	no
With bolts	no
Mounting type	Concealed
Nominal cross-section, min.	16 mm ²
Sealable	no
Impact-resistant	yes
Protection rating	IP20
Support	Without
Airtight	no
Rated voltage	400 V