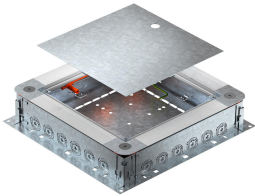


Technical data sheet

UZD250-4 R junction and branch box

Item number: 7410026



Junction and branch box for screed-covered underfloor installation duct with sheet steel side walls. For mounting of installation units in the mounting cover (to be ordered separately). Can be infinitely adjusted to a nominal screed height of 80–160 mm using the quick height-adjustment unit. The screed can be worked up to be flush with the screed draw-off edge. With noise decoupling option after screed laying and can also be used with system accessories for heavy-duty applications. Insertion of cables through the pipe entries.



St Steel

FS Strip galvanized

Master data

Item number	7410026
Type	UZD250-4 R
Description 1	Junction and branch box
Description 2	with pipe entry
Manufacturer	OBO
Dimension	400x380x80
Material	Steel
Surface	Strip galvanized
Surface standard	DIN EN 10346
Smallest sales unit	1
Unit of quantity	Piece
Weight	466 kg
Weight unit	kg/100 pc.

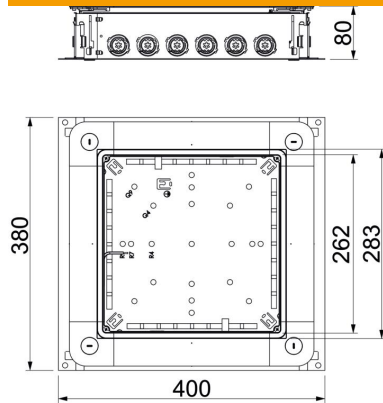
Technical data sheet

UZD250-4 R junction and branch box

Item number: 7410026



Dimensions



Dimension a	262 mm
Dimension A	380 mm
Dimension B	400 mm
Dimension b	283 mm

Technical data

Number of installable devices	1
Floor plate	yes
Cover version	Universal
Seal installation option	yes
Installation opening for on-floor tank	no
Installation opening for flush-mount unit	Square
Decouplable	yes
Screed height, max.	160 mm
Screed height, min.	80 mm
For pipe connection	yes
Suitable for screed-flush closed underfloor ducts	no
Suitable for screed-covered underfloor ducts	no
Suitable for underfloor ducts	no
Trunking height, max.	58 mm
Duct height, min.	28 mm
Minimum screed height	80
Nominal size	250 mm
Height-adjustment range, max.	160 mm
Height-adjustment range, min.	80 mm
Protection rating (IP) when used	IP20