

# Technical data sheet

## Cable gland with locknut as a set

Item number: 7205666



Robust cap nut cable gland with metric connecting thread to IEC 423, including pre-mounted locknut.

For high tightness requirements. Strain relief, torsion protection and tightness over the whole clamping area. Sealing ring made of polychloroprene/acrylonitrile butadiene rubber. Moulded shaped sealing lip on intermediate support, no connection thread sealing ring required.

VDE-tested according to DIN EN 50262, protection rating IP68 at 5 bar for 1 hr.

For maintenance of electrical function according to DIN 4102 Part 12 in connection with the closed junction boxes of the FireBox T series.

Colour: Pastel orange.

PA Polyamide

### Master data

Item number	7205666
Type	V-TEC VM32+ OR
Description 1	Cable gland
Description 2	with locknut
Manufacturer	OBO
Dimension	M32
Colour	Pastel orange; RAL 2003
Material	Polyamide
Smallest sales unit	10
Unit of quantity	Piece
Weight	2.84 kg
Weight unit	kg/100 pc.

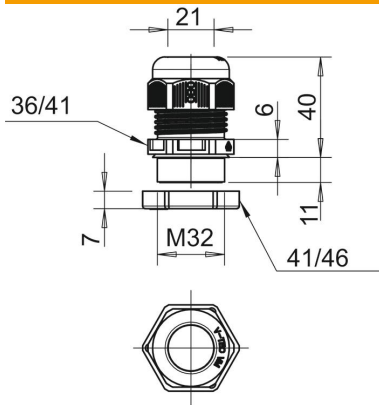
# Technical data sheet

## Cable gland with locknut as a set



Item number: 7205666

### Dimensions



Dimension E	41 mm
Dimension E1 (mm)	41 mm
Dimension E2	46 mm
Dimension G	M32 x 1,5 mm
Dimension L max.	40 mm
Dimension L min.	29 mm
Dimension L1	11 mm
Dimension L2	6 mm
Dimension L3	7 mm

### Technical data

Bend protection	no
Sealing area D, max.	21 mm
Sealing area D, min.	15 mm
Flat cable gland	no
Flame-resistant	acc. to VDE 0471/DIN 695 Part 2-1, test temperature 650°C
For Ex zone	Without
For Ex zone gas	Without
For Ex zone dust	Without
Thread	M32 x 1,5
Thread type	Metric
Thread length	11 mm
Thread increase	1.5 mm
Fibre-glass reinforced	no
Halogen-free	yes
Unstable torque	7.5 Nm
Sealing insert, multiple	no
With locknut	yes
Impact-resistant	no
WAF	36
WAF 1	36 mm
WAF 2	41 mm
Protection rating	IP68
Splittable gland	no
Permitted temperature range, max.	65 °C
Permitted temperature range, min.	-20 °C
Strain relief option	yes