

Technical data sheet

Cable gland, metric thread with multi-way seal insert, light grey

Item number: 2022136



Cable gland with metric connection thread in cap nut design, suitable for junction boxes, housings, distributor cabinets in private and industrial areas. With strain relief and integrated sealing lip, tested according to DIN EN 62444. Protection class IP68. Can be used between -20°C and $+65^{\circ}\text{C}$.



PA Polyamide

Master data

| | |
|---------------------|----------------------------|
| Item number | 2022136 |
| Type | V-TEC VM32 2x8 |
| Description 1 | Cable gland |
| Description 2 | with multi-way seal insert |
| Manufacturer | OBO |
| Dimension | M32 |
| Colour | Light grey |
| Material | Polyamide |
| Smallest sales unit | 20 |
| Unit of quantity | Piece |
| Weight | 2.24 kg |
| Weight unit | kg/100 pc. |

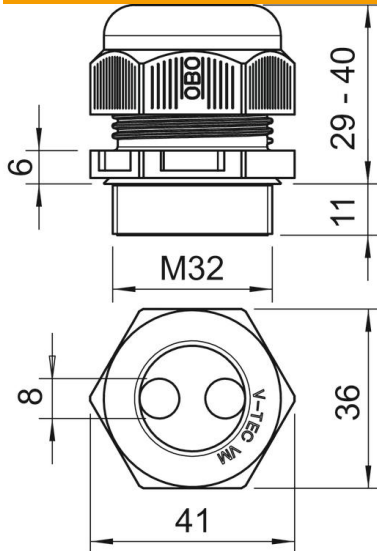
Technical data sheet

Cable gland, metric thread with multi-way seal insert, light grey

Item number: 2022136



Dimensions



| | |
|------------------|-------|
| Dimension D | 8 mm |
| Dimension E | 41 mm |
| Dimension L max. | 40 mm |
| Dimension L min. | 29 mm |
| Dimension L1 | 11 mm |
| Dimension L2 | 6 mm |

Technical data

| | |
|-----------------------------------|---|
| Number of drill holes | 2 |
| Type of seal | Sealing ring |
| Version for | Straight |
| Bend protection | no |
| explosion-proof | no |
| Flat cable gland | no |
| Flame-resistant | acc. to VDE 0471/DIN 695 Part 2-1, test temperature 650°C |
| For Ex zone | Without |
| For Ex zone gas | Without |
| For Ex zone dust | Without |
| Thread | M32 x 1,5 |
| Thread type | Metric |
| Thread length | 11 mm |
| Nominal thread size | 32 |
| Thread increase | 1.5 mm |
| Fibre-glass reinforced | no |
| Halogen-free | yes |
| Unstable torque | 7.5 Nm |
| Sealing insert, multiple | no |
| With locknut | no |
| Impact-resistant | no |
| WAF | 36 |
| Protection rating | IP68 |
| Hexagonal corner dimension | 41 mm |
| Splittable gland | no |
| Permitted temperature range, max. | 65 °C |
| Permitted temperature range, min. | -20 °C |

Technical data sheet

Cable gland, metric thread with multi-way seal insert, light grey

Item number: 2022136



Technical data

| | |
|----------------------|-----|
| Strain relief option | yes |
|----------------------|-----|