

# Technical data sheet

Cap nut cable gland, metric thread, silver grey, long, nickel-plated

Item number: 2086147



With metric connecting thread to IEC 423, robust cap-nut cable gland with large sealing area. Strain relief, wringing protection and tightness over the whole clamping area. For thicker housing wall thicknesses in conjunction with locknuts. Neoprene sealing ring. Polyamide terminal insert. With pre-mounted sealing ring on connection thread, VDE-tested to DIN EN 50262, protection rating IP 68 at 5 bar for 1 hr.

With long connection thread.

\* Prices according to DEL notation.



**CuZn**  
37 Brass

**N** Nickel-plated

## Master data

|                     |                             |
|---------------------|-----------------------------|
| Item number         | 2086147                     |
| Type                | V-TEC VM LM50 MS            |
| Description 1       | Cable gland                 |
| Description 2       | with long connection thread |
| Manufacturer        | OBO                         |
| Dimension           | M50                         |
| Material            | Brass                       |
| Surface             | Nickel-plated               |
| Surface standard    |                             |
| Smallest sales unit | 5                           |
| Unit of quantity    | Piece                       |
| Weight              | 24 kg                       |
| Weight unit         | kg/100 pc.                  |

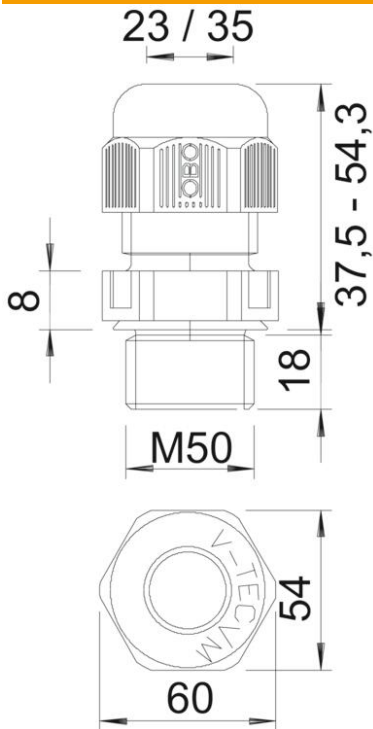
# Technical data sheet

Cap nut cable gland, metric thread, silver grey, long, nickel-plated

Item number: 2086147



## Dimensions



|                  |         |
|------------------|---------|
| Dimension E      | 60 mm   |
| Dimension L max. | 38.5 mm |
| Dimension L1     | 14 mm   |
| Dimension L2     | 4.5 mm  |
| Dimension L3     | 25 mm   |

## Technical data

|                                   |              |
|-----------------------------------|--------------|
| Type of seal                      | Sealing ring |
| Version for                       | Straight     |
| Bend protection                   | no           |
| Sealing area D, max.              | 35 mm        |
| Sealing area D, min.              | 24 mm        |
| explosion-proof                   | no           |
| Flat cable gland                  | no           |
| For Ex zone                       | Without      |
| Thread                            | M50 x 1,5    |
| Thread type                       | Metric       |
| Thread length                     | 14 mm        |
| Fibre-glass reinforced            | no           |
| Halogen-free                      | no           |
| Sealing insert, multiple          | no           |
| With locknut                      | no           |
| Impact-resistant                  | no           |
| WAF                               | 55           |
| Protection rating                 | IP68         |
| Permitted temperature range, max. | 100 °C       |
| Permitted temperature range, min. | -20 °C       |
| Strain relief option              | yes          |