

Technical data sheet

Cap nut cable gland, metric thread, silver grey, long, nickel-plated

Item number: 2086159



With metric connecting thread to IEC 423, robust cap-nut cable gland with large sealing area. Strain relief, wringing protection and tightness over the whole clamping area. For thicker housing wall thicknesses in conjunction with locknuts. Neoprene sealing ring. Polyamide terminal insert. With pre-mounted sealing ring on connection thread, VDE-tested to DIN EN 50262, protection rating IP 68 at 5 bar for 1 hr.

With long connection thread.

* Prices according to DEL notation.



CuZn
37 Brass

N Nickel-plated

Master data

Item number	2086159
Type	V-TEC VM LM75MS2
Description 1	Cable gland
Description 2	with long connection thread
Manufacturer	OBO
Dimension	M75
Material	Brass
Surface	Nickel-plated
Surface standard	
Smallest sales unit	3
Unit of quantity	Piece
Weight	98.2 kg
Weight unit	kg/100 pc.

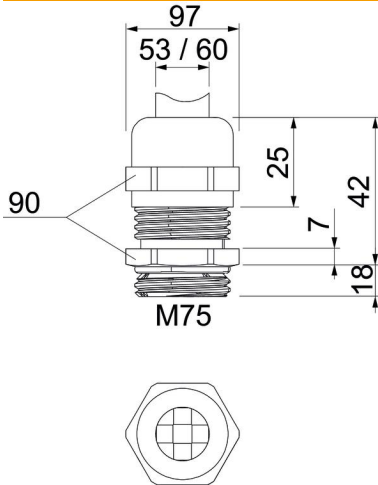
Technical data sheet

Cap nut cable gland, metric thread, silver grey, long, nickel-plated

Item number: 2086159



Dimensions



Dimension E	97 mm
Dimension L max.	42 mm
Dimension L1	18 mm
Dimension L2	7 mm
Dimension L3	25 mm

Technical data

Type of seal	Sealing ring
Version for	Straight
Bend protection	no
Sealing area D, max.	60 mm
Sealing area D, min.	53 mm
explosion-proof	no
Flat cable gland	no
For Ex zone	Without
Thread	M75 x 1,5
Thread type	Metric
Thread length	18 mm
Fibre-glass reinforced	no
Halogen-free	no
Sealing insert, multiple	no
With locknut	no
Impact-resistant	no
WAF	90
Protection rating	IP68
Permitted temperature range, max.	100 °C
Permitted temperature range, min.	-20 °C
Strain relief option	yes