

# Technical data sheet

## HoverCube VH-4, empty housing

Item number: 6109801



Empty housing with suspension lug and grip hook, for the installation of four electrical resources, with included partition. Without cover plates.



PA Polyamide

### Master data

Item number	6109801
Type	VH-4 LG RW
Description 1	HoverCube
Description 2	IP20, with grip, empty
Manufacturer	OBO
Dimension	140x140x252
Colour	Pure white; RAL 9010
Material	Polyamide
Smallest sales unit	1
Unit of quantity	Piece
Weight	72 kg
Weight unit	kg/100 pc.

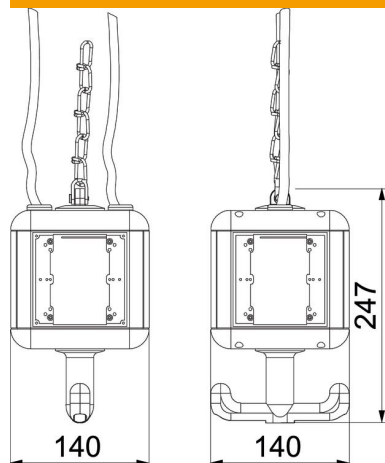
# Technical data sheet

## HoverCube VH-4, empty housing

Item number: 6109801



### Dimensions



Width	140 mm
Height	237 mm

### Technical data

Protection	Without
Number of SCHUKO sockets	0
Type of mains connection	Other
CEE socket, 125 A	Without
CEE socket, 16 A	Without
CEE socket, 32 A	Without
CEE socket, 63 A	Without
Supply/connection option	2 Leitungen (Ringleitung/zum Durchschleifen)
FI protection switch	Without
Handling	abhängbar
Military version	no
Protection rating	IP20
Other installations and/or empty slots	0
Depth	140 mm
Number of CEE sockets	0
Number of compressed air connections	0