

Technical data sheet

Wall, floor and ceiling bracket with 3 holes A4

Item number: 1123197



The wall, floor and ceiling bracket can ideally be used as a panel for wall, floor and ceiling mounting.
Also suitable for stand and frame construction in conjunction with the mounting rails MS4141.



A4 Stainless steel

2B Bright, treated

Master data

Item number	1123197
Type	WBDHE 41 A4
Description 1	Wall holder
Description 2	combination MS 41
Manufacturer	OBO
Dimension	134x110x102
Material	Stainless steel
Surface	Bright, treated
Surface standard	
Smallest sales unit	10
Unit of quantity	Piece
Weight	73 kg
Weight unit	kg/100 pc.

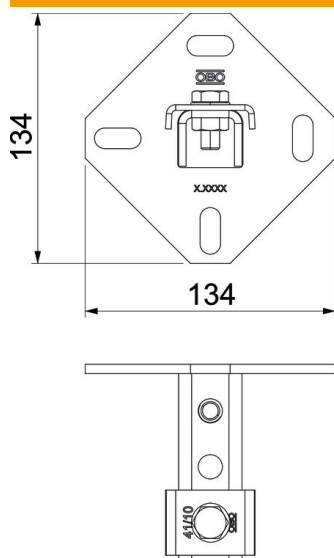
Technical data sheet

Wall, floor and ceiling bracket with 3 holes A4

Item number: 1123197



Dimensions



Length	102 mm
Width	134 mm
Height	110 mm

Technical data

Version for	Perforated
Hole size	25 x 11 mm
Material thickness	5 mm
Profile shape	C profile
Slot width	22 mm
Static value A	2.97 cm ²
Static value I _y	6.05 cm
Static value I _z	9.01 cm
Static value W _y	2.91 cm ²
Static value W _z	4.4 cm ²