

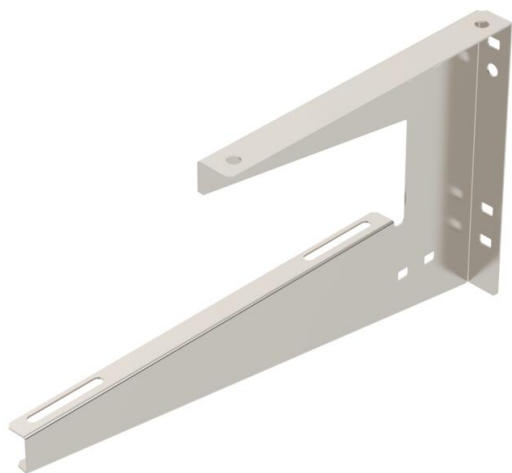
Technical data sheet

Wall and ceiling bracket A2

Item number: 6363748



Wall and ceiling clamp for universal structural fastening.



CE

A2 Stainless steel

2B Bright, treated

Master data

Item number	6363748
Type	WDB L 300 A2
Description 1	Wall and ceiling bracket
Description 2	lightweight version
Manufacturer	OBO
Dimension	B300mm
Material	Stainless steel
Surface	Bright, treated
Surface standard	
Smallest sales unit	1
Unit of quantity	Piece
Weight	52 kg
Weight unit	kg/100 pc.

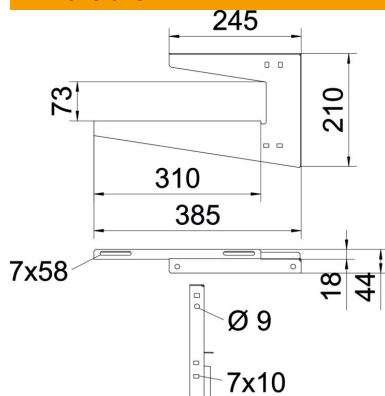
Technical data sheet

Wall and ceiling bracket A2

Item number: 6363748



Dimensions



Length	385 mm
Width	310 mm
Height	210 mm
Dimension A	245 mm
Dimension B	310 mm
Dimension H	210 mm
Dimension H1 (mm)	73
Dimension L	385 mm

Technical data

Version for	Suspension bracket (C clamp)
F in kN ceiling	0.2 kN
F in kN wall	0.2 kN
Maintain electrical functions	no
for width min.	300
Suitable for metric threaded rod	8
Suitable for mesh cable tray	yes
Suitable for cable ladder	yes
Suitable for cable tray	yes
Suitable for tray/ladder width	300 mm
Hole diameter	7 mm
Material thickness	1.25 mm
Tray fastening	Screw-on
Adjustable	no

Wall fastening

Anchor type	Max. load [kN]					
	Bracket length [mm]					
	50	100	150	200	300	400
BZ-U 8-30-41/95	0.40	0.25	0.22	0.30	0.20	0.12

Systemtest in Anlehnung an DIN EN 61537 in Kombination mit Kabeltragsystem RKS-Magic®. Max. Belastung F_{ges} = Kabelgewicht + Kabelrinne + Wand-/Deckenbügel. Die Tragfähigkeitsangaben erhöhen sich um ein Vielfaches beim Einsatz im ungerissenen Beton. Die angegebenen Werte basieren auf Beton der Festigkeitsklasse C20/C25.